

SINGER

253-212

Form 20948
(1157)
Printed in U.S.A.

LIST OF PARTS



From the library of: Diamond Needle Corp

SINGER^{**}

MACHINE No. 253-212

THE SINGER MANUFACTURING COMPANY

** A Trademark of THE SINGER MANUFACTURING COMPANY

INSTRUCTIONS FOR OILING

Before starting the machine, fill the oil reservoir in the base to the HIGH MARK with TYPE A or TYPE C OIL, sold by Singer Sewing Machine Company, as instructed in Form 20748

TYPE C OIL is to be used, when an oil is desired which will produce a minimum of stain on fabrics, even after a long period of storage.

The reservoir holds approximately 1-1/2 pints.

When in operation, the oil level in the reservoir should be frequently inspected to keep it from going below the LOW MARK in the reservoir. Refill to HIGH MARK with TYPE A or TYPE C OIL.

INDEX

	Page
Accessories.....	21
Belt Guard (Hinged).....	21
Face Plate Thread Lubricator.....	22
Foot Lifter Parts.....	22
Knee Lifter Parts	23
Machine No. 253-212.....	7
Numerical List of Parts.....	25
Thread Unwinder (For Four Spools).....	23

From the library of Diamond Needle Corp

INSTRUCTIONS FOR ORDERING

In ordering from this list, use ONLY the part NUMBER in the FIRST column.

The number stamped on a Sewing Machine Part is in every case the number of the single part only.

Every combination of parts sent out as such has its specific number, which, although not stamped on the parts, must be used when ordering the combination.

Each number always indicates the SAME PART in whatever list it appears, or for whatever machine.

The letters after some of the numbers indicate the style of finish only, as follows:

- A—Hardened, Polished, Nickel Plated and Buffed
- B—Polished, Nickel Plated and Buffed
- C—Hardened Only
- D—Polished Only
- E—Soft, Not Polished
- F—Hardened and Polished
- G—Bright Rumbled and Nickel Plated
- H—Blued
- J—Nickel Plated Only
- K—Hardened and Nickel Plated
- L—Brass Plated
- M—Oxidized
- R—Phosphate Coating Formed on Surface of Iron or Steel
- S—Cadmium Plated
- T—Copper Plated
- U—Zinc Plated
- V—Silver Plated
- W—Polished and Nickel Plated
- X—Black Oxide for Iron and Steel
- Y—Black Nickel Plated Only
- Z—Chromium Plated
- A.A—Buffed and Chromium Plated
- A.B—Hardened, Polished, Buffed and Chromium Plated
- A.E—Hardened, Bright Rumbled and Nickel Plated
- A.F—Hardened, Bright Rumbled, Nickel Plated, Bright Rumbled and Chromium Plated
- A.G—Alumilite (Plain)
- A.H—Alumilite (Dyed) Color Must be Stated
- A.J—Polished, Nickel Plated and Chromium Plated
- A.K—Hardened, Polished, Nickel Plated and Chromium Plated
- A.L—Heat Treated for Toughness
- A.L.D—Heat Treated for Toughness and Polished
- A.L.X—Heat Treated for Toughness and Black Oxide

INSTRUCTIONS FOR ORDERING

- A.S—Black Moulded Phenolic
- A.T—Beige Moulded Phenolic
- A.U—Brown Moulded Phenolic
- A.W—Hardened then Flame Coated with Tungsten Carbide
- B.A—Chrome Nickel Satin Finish
- B.B—Hardened and Chrome Nickel, Satin Finished
- C.R—Hardened and Phosphate Coating Formed on Surface of Steel
- F.J—Hardened, Polished and Nickel Plated
- T.A—Hardened, Polished, Copper and Nickel Plated and Buffed
- T.B—Copper and Nickel Plated and Polished
- T.J—Copper and Nickel Plated Only
- T.K—Hardened, Copper and Nickel Plated
- T.L—Copper and Brass Plated
- T.M—Copper Plated and Oxidized
- X.C—Hardened and Black Oxide for Iron and Steel
- Z.A—Hardened, Polished Nickel Plated, Buffed and Chromium Plated
- Z.B—Polished, Nickel Plated, Buffed and Chromium Plated
- Z.C—Hardened and Chromium Plated
- Z.D—Polished and Chromium Plated
- Z.G—Bright Rumbled, Nickel Plated, Bright Rumbled and Chromium Plated
- Z.J—Nickel and Chromium Plated
- Z.T—Copper and Chromium Plated

These letters MUST BE USED when they appear in the list; and AFTER the number as in the list.

In this series:

1 to 1500, 50001 to 51500 and 140001 to 142,000 are screw numbers
1501 to 1800 and 51500 to 51800 are nut numbers
1801 to 2000 and 51801 to 52000 are roller numbers
2001 to 50000 and 52001 to 140000 and 142001 to 190000 are Sewing Machine Parts, 190001 and upward are numbers of Electrical Parts.

The figures in the second column refer only to the plates, illustrating the parts, and are NOT TO BE USED in ordering.

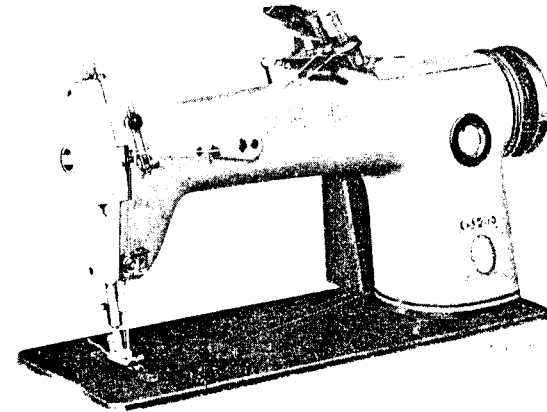
Parts marked with an asterisk (*) are furnished only when repairs are made at the factory.

When ordering parts which differ as to gauge (the distance between seams), the gauge as well as the number must be given on the order.

LIST OF PARTS COMPLETE
FOR

SINGER Needles should be used
in SINGER Machines
These Needles and their Containers
are marked with the
Company's Trademark "SIMANCO"

Needles in Containers marked
"FOR SINGER MACHINES"
are NOT SINGER made needles



MACHINE No. 253-212

For Seat Seaming Medium and Medium Heavy Trousers.
Two Needles, Two Loopers. Needles Set Tandem 3/16 in.
Apart. Length of Stitches 6 to 20 to the inch. Needle
Bar Stroke 1 5/16 in.

No.	Plate	Name
#146863	----	Arm.....
		NOTE: When ordering No. 146863, state color required.
16532	25037	Arm Dowel Pin (2).....
146552	25037	Arm Screw (front) (2).....
146851	25037	Arm Screw Stud (back) (2).....
146865	25107	Arm Shaft (horizontal) with 14036AL, 140542AL and 140852AL.....
146866	----	Arm Shaft (horizontal) 146865 with 146581
146864	25107	Arm Shaft (horizontal) Bevel Gear, right hand spiral with 140333AL and two 1259AL.....
140333AL	25107	Arm Shaft (horizontal) Bevel Gear Position Screw.....
1259AL	25107	Arm Shaft (horizontal) Bevel Gear Set Screw (2).....
143008	25107	Arm Shaft (horizontal) Bushing (center)...
140296AL	25107	Arm Shaft (horizontal) Bushing (center) Set Screw.....
147112	25107	Arm Shaft (horizontal) Flanged Bushing (back).....

From the library of Diamond Needle Corp

No.	Plate	Name
146790	25107	Arm Shaft (horizontal) Flanged Bushing (back) Oil Sump Tube with Holder.....
207E	25107	Arm Shaft (horizontal) Flanged Bushing (back) Oil Sump Tube Holder Screw....
140296AL	25107	Arm Shaft (horizontal) Flanged Bushing (back) Set Screw.....
146672	25107	Arm Shaft (horizontal) Flanged Bushing (front).....
140331AL	25107	Arm Shaft (horizontal) Flanged Bushing (front) Set Screw.....
144D	25107	Arm Shaft (horizontal) Screw (back).....
140359E	25107	Arm Shaft (horizontal) Screw Plug (front).....
143236	25107	Arm Shaft (horizontal) Screw Plug (front) Washer (fiber).....
146661	25107	Arm Shaft (upright).....
143015	25107	Arm Shaft (upright) Bevel Gear (lower) left hand spiral with two 1259AL.....
1259AL	25107	Arm Shaft (upright) Bevel Gear (lower) Set Screw (2).....
143015	25107	Arm Shaft (upright) Bevel Gear (upper) left hand spiral with two 1259AL.....
1259AL	25107	Arm Shaft (upright) Bevel Gear (upper) Set Screw (2).....
146505	25107	Arm Shaft (upright) Bushing (lower).....
140298AL	25107	Arm Shaft (upright) Bushing (lower) Set Screw.....
147111	25107	Arm Shaft (upright) Bushing (upper).....
140298AL	25107	Arm Shaft (upright) Bushing (upper) Set Screw.....
146867	25074	Arm Top Cover.....
	NOTE:	When ordering No. 146867, state color required.
146868	25074	Arm Top Cover and Stitch Regulator Cap.....
	NOTE:	When ordering No. 146868, state color required.
146869	25074	Arm Top Cover with Stitch Regulator Cap complete, Nos. 335X, 146868, 146870 and 146871.....
146870	25074	Arm Top Cover and Stitch Regulator Cap Gasket.....
146871	25074	Arm Top Cover and Stitch Regulator Cap Latch.....
335X	25074	Arm Top Cover and Stitch Regulator Cap Latch Screw.....
146508	25074	Arm Top Cover Gasket.....
51369R	25074	Arm Top Cover Screw (4).....
146872	25108	Attachment Slide.....
146873	25108	Attachment Slide complete, Nos. 51282X, 146872 and 146874.....
146874	25108	Attachment Slide Spring.....
51282X	25108	Attachment Slide Spring Screw.....

No.	Plate	Name
#146876	-----	Bed with 146570 and two each 126150 and 140734E.....
	NOTE:	Due to the accuracy required for gear alignment, Bed cannot be supplied separately and can only be sent out as a unit, Arm and Bed assembled.
143024	25107	Bed Hole Plug.....
146514	25037	Bed Leg (back).....
965E	25037	Bed Leg (back) Screw (2).....
146877	25037	Bed Leg (front, long).....
146516	25073	Bed Rotary Shaft.....
146650	-----	Bed Rotary Shaft 146516 with 146558.....
146517	25073	Bed Rotary Shaft Bevel Gear, right hand spiral with two 1259AL.....
1259AL	25073	Bed Rotary Shaft Bevel Gear Set Screw (2).....
146518	25073	Bed Rotary Shaft Bushing (back).....
50554AL	25073	Bed Rotary Shaft Bushing (back) Set Screw.....
146519	25073	Bed Rotary Shaft Bushing (front).....
50554AL	25073	Bed Rotary Shaft Bushing (front) Set Screw.....
146520	25073	Bed Rotary Shaft Bushing (intermediate).....
448AL	25073	Bed Rotary Shaft Bushing (intermediate) Set Screw.....
64342	25073	Bed Rotary Shaft Collar with 454AL.....
454AL	25073	Bed Rotary Shaft Collar Set Screw.....
146521	25041	Bed Slide (left).....
4307	25041	Bed Slide (left) Spring.....
725X	25041	Bed Slide (left) Spring Screw (2).....
146522	25041	Bed Slide (left) complete, Nos. 4307, 146521 and two 725X.....
146006	25108	Bed Slide (right, button type) for 146007..
146523	-----	Bed Slide (right, button type) for 146526..
146834	-----	Bed Slide (right, button type) for 146835..
146848	-----	Bed Slide (right, button type) for 146846..
146849	-----	Bed Slide (right, button type) for 146847..
146061	25108	Bed Slide (right, latch type) for 146062..
146687	-----	Bed Slide (right, latch type) for 146692..
146722	-----	Bed Slide (right, latch type) for 146723..
146820	-----	Bed Slide (right, latch type) for 146821..
146827	-----	Bed Slide (right, latch type) for 146828..
146007	25108	Bed Slide (right, button type) complete for Throat Plates with no off-set, Nos. 1423X, 146006, 146524, 146525 and two 240C.....
146526	-----	Bed Slide (right, button type) complete for Throat Plates with 3/64 in. off-set, Nos. 1423X, 146523, 146524, 146525 and two 240C.....
146835	-----	Bed Slide (right, button type) complete for Throat Plates with 3/32 in. off-set, Nos. 1423X, 146524, 146525, 146834 and two 240C.....

10 PARTS FOR MACHINE NO. 253-212

PARTS FOR MACHINE NO. 253-212

No.	Plate	Name	No.	Plate	Name
146846	-----	Bed Slide (right, button type) complete for Throat Plates with 9/64 in. off-set, Nos. 1423X, 146524, 146525, 146848 and two 240C.....	147023 176E	25072 25072	Feed Bar Carrier Hinge Pin..... Feed Bar Carrier Hinge Pin Clamping Screw (2).....
146847	-----	Bed Slide (right, button type) complete for Throat Plates with 3/16 in. off-set, Nos. 1423X, 146524, 146525, 146849 and two 240C.....	143031 143032 147024	25072 25072 -----	Feed Bar Carrier Oil Wick..... Feed Bar Carrier Oil Wick Holder..... Feed Bar Carrier Oil Wick Holder 143032 with 143031.....
146062	25108	Bed Slide (right, latch type) complete for Throat Plates with no off-set, Nos. 146061, 146688, 146689, 146690, 146691 and four 1470X.....	228E	25072	Feed Bar Carrier Oil Wick Holder Screw (2).....
146692	-----	Bed Slide (right, latch type) complete for Throat Plates with 3/64 in. off-set, Nos. 146687, 146688, 146689, 146690, 146691 and four 1470X.....	146934 146881 146539 146882	25072 25072 25072 -----	Feed Bar Slide Block..... Feed Bar Slide Block Oil Wick..... Feed Bar Slide Block Oil Wick Holder.... Feed Bar Slide Block Oil Wick Holder 146539 with 146881.....
146828	-----	Bed Slide (right, latch type) complete for Throat Plates with 3/32 in. off-set, Nos. 146688, 146689, 146690, 146691, 146827 and four 1470X.....	50579J	25072	Feed Bar Slide Block Oil Wick Holder Screw.....
146723	-----	Bed Slide (right, latch type) complete for Throat Plates with 9/64 in. off-set, Nos. 146688, 146689, 146690, 146691, 146722 and four 1470X.....	146950 131559	25109 25109	Feed Dog, 14 teeth (10 teeth to the inch) for 146957..... Feed Dog, 12 teeth (8 teeth to the inch) for 146958.....
146821	-----	Bed Slide (right, latch type) complete for Throat Plates with 3/16 in. off-set, Nos. 146688, 146689, 146690, 146691, 146820 and four 1470X.....	157J 140695X 1607X 51061AL 7071 217J	25109 25072 25072 25107 25107 25107	Feed Dog Screw..... Feed Dog Stop Screw..... Feed Dog Stop Screw Nut..... Feed Eccentric Body Set Screw (..... Feed Eccentric Clamping Washer (2).... Feed Eccentric Clamping Washer Screw (2).....
146525	-----	Bed Slide (right) Knob.....	146883	25107	Feed Eccentric (adjustable) complete, Nos. 50328C, two each 217J, 7071 and three 51061AL.....
146688	25108	Bed Slide (right) Latch.....	146884	25107	Feed Lifting Eccentric with three 440AL..
146689	25108	Bed Slide (right) Latch Guide.....	440AL	25107	Feed Lifting Eccentric Set Screw (3)....
1470X	25108	Bed Slide (right) Latch Guide Screw (2)...	146885	25072	Feed Lifting Rock Shaft.....
146690	25108	Bed Slide (right) Latch Spring.....	143052	25072	Feed Lifting Rock Shaft and Feed Rock Shaft Oil Wick Holder.....
146691	25108	Bed Slide (right) Spring.....	228E	25072	Feed Lifting Rock Shaft and Feed Rock Shaft Oil Wick Holder Screw.....
146524	25108	Bed Slide (right) Spring.....	147042	25072	Feed Lifting Rock Shaft Bushing (back)...
1423X	25108	Bed Slide (right) Spring Screw.....	146933	25072	Feed Lifting Rock Shaft Bushing (front)...
1470X	25108	Bed Slide (right) Spring Screw (2).....	447AL	25072	Feed Lifting Rock Shaft Bushing Set Screw (2).....
240C	25108	Bed Slide (right) Spring Stop Screw (2)...	143039	25072	Feed Lifting Rock Shaft Cap.....
146878	-----	Combination of Feed and Stitch Regulator Parts, Nos. 143015, 146537, 146545, 146864, 146883 and 146884.....	223E 147029	25072 25072	Feed Lifting Rock Shaft Cap Screw (2).... Feed Lifting Rock Shaft Collar with two 460AL (2).....
146528	25041	Face Plate.....	460AL	25072	Feed Lifting Rock Shaft Collar Set Screw (2).....
	NOTE:	When ordering No. 146528, state color required.	146537 146887	25107 25107	Feed Lifting Rock Shaft Connecting Rod... Feed Lifting Rock Shaft Connecting Rod Hinge Pin.....
146529	25041	Face Plate Gasket.....	462AL	25072	Feed Lifting Rock Shaft Connecting Rod Hinge Pin Set Screw.....
140061J	25041	Face Plate Screw (lower) (3).....	146888	25072	Feed Lifting Rock Shaft Crank (back) with 462AL and two 50083AL.....
140050J	25041	Face Plate Screw (upper).....			
146879	25072	Feed Bar.....			
146880	-----	Feed Bar 146879 with 1607X and 140695X..			
146949	-----	Feed Bar 146880 with 146935.....			
147022	25072	Feed Bar Carrier with two each 158E and 176E.....			
158E	25072	Feed Bar Carrier Clamping Screw (2)....			

From the Library of Diamond Needle Co.

No.	Plate	Name
50083AL	25072	Feed Lifting Rock Shaft Crank (back) Clamping Screw (2).....
146889	25072	Feed Lifting Rock Shaft Crank (front) with 157X
146935	-----	Feed Lifting Rock Shaft Crank (front) 146889 with 146934
157X	25072	Feed Lifting Rock Shaft Crank (front) Clamping Screw
146945	25072	Feed Lifting Rock Shaft Hole Plug.....
140359E	25072	Feed Lifting Rock Shaft Oil Plug Screw...
143236	25072	Feed Lifting Rock Shaft Oil Plug Screw Washer (fiber).....
146891	25072	Feed Lifting Rock Shaft Oil Wick.....
146892	25072	Feed Lifting Rock Shaft Oil Wick (long)...
147037	25072	Feed Lifting Rock Shaft Oil Wick (short) (2).....
147047	25072	Feed Lifting Rock Shaft Oil Wick Clamping Plate
197E	25072	Feed Lifting Rock Shaft Oil Wick Clamping Plate Screw
50328C	25107	Feed Regulating Screw.....
146893	25072	Feed Rock Shaft.....
146894	-----	Feed Rock Shaft Nos. 197E, 140359E, 143236, 146891, 146893, 146896, 147647 and two 147045.....
147042	25072	Feed Rock Shaft Bushing (back).....
147043	25072	Feed Rock Shaft Bushing (front)
447AL	25072	Feed Rock Shaft Bushing Set Screw (2)...
143048	25072	Feed Rock Shaft Cap.....
223E	25072	Feed Rock Shaft Cap Screw (2).....
147029	25072	Feed Rock Shaft Collar with two 460AL...
460AL	25072	Feed Rock Shaft Collar Set Screw (2)....
146545	25107	Feed Rock Shaft Connecting Rod
146887	25107	Feed Rock Shaft Connecting Rod Hinge Pin
462AL	25072	Feed Rock Shaft Connecting Rod Hinge Pin Set Screw
146895	25072	Feed Rock Shaft Crank with 462AL and two 157X
157X	25072	Feed Rock Shaft Crank Clamping Screw (2)
140359E	25072	Feed Rock Shaft Oil Plug Screw.....
143236	25072	Feed Rock Shaft Oil Plug Screw Washer (fiber).....
146891	25072	Feed Rock Shaft Oil Wick
146896	25072	Feed Rock Shaft Oil Wick (long)
147045	25072	Feed Rock Shaft Oil Wick (short) (2)....
147047	25072	Feed Rock Shaft Oil Wick Clamping Plate.
197E	25072	Feed Rock Shaft Oil Wick Clamping Plate Screw.....
146951	25110	Looper (back) closed eye
1253AL	25110	Looper (back) Set Screw.....
146952	25110	Looper (front) closed eye.....
1253AL	25110	Looper (front) Set Screw.....
146550	25073	Looper Avoiding Eccentric with two 1259AL

No	Plate	Name
146553	25073	Looper Avoiding Eccentric Connection (forked) with two 896AL.....
896AL	25073	Looper Avoiding Eccentric Connection Clamping Screw (2).....
1259AL	25073	Looper Avoiding Eccentric Set Screw (2)..
146554	25073	Looper Avoiding Eccentric Slide Block....
146556	25073	Looper Ball Crank.....
146897	25110	Looper Ball Crank Arm with 51320AL....
146923	25110	Looper Ball Crank Arm 146897 with 1520J, 128551 and 146919
51320AL	25110	Looper Ball Crank Arm Clamping Screw..
132790	25073	Looper Ball Crank Connection Ball Sleeve (two pieces)
164232	25073	Looper Ball Crank Connection Ball Sleeve Guide
146557	25073	Looper Ball Crank Connection Nos. two each 896AL, 51715AL, 131927 and 131928
146558	-----	Looper Ball Crank Connection 146557 with 132790, 146556 and 164232
896AL	25073	Looper Ball Crank Connection Cap (lower) Screw (2).....
131927	25073	Looper Ball Crank Connection Cap (upper) Screw Stud (2).....
51715AL	25073	Looper Ball Crank Connection Cap (upper) Screw Stud Nut (2).....
131928	25073	Looper Ball Crank Connection Cap (upper) Screw Stud Nut Lock Washer (2)
146559	25073	Looper Ball Crank Hinge Pin
448AL	25073	Looper Ball Crank Hinge Pin Set Screw (2)
146948	25110	Looper Ball Crank Pitman Ball Screw Stud (right).....
1520J	25110	Looper Ball Crank Pitman Ball Screw Stud (right) Nut.....
128551	25110	Looper Ball Crank Pitman Ball Screw Stud (right) Nut Locking Plate.....
146730	25110	Looper Ball Crank Pitman End Bearing (left) Body with two 175AL
175AL	25110	Looper Ball Crank Pitman End Bearing (left) Cap Screw (2).....
1664J	25110	Looper Ball Crank Pitman End Bearing (left) Nut
146918	25110	Looper Ball Crank Pitman End Bearing (right) Body with two 175AL.....
175AL	25110	Looper Ball Crank Pitman End Bearing (right) Cap Screw (2)
146919	-----	Looper Ball Crank Pitman End Bearing (right) 146918 with 146948.....
146936	25110	Looper Ball Crank Pitman Rod.....
146937	25110	Looper Ball Crank Pitman Rod 146936 with 51769C
146938	25110	Looper Ball Crank Pitman Rod with Throw-out Device complete, Nos. 29043, 50169J, 146732, 146733, 146754, 146904, 146937 and two 51159J

No.	Plate	Name
51769C	25110	Looper Ball Crank Pitman Rod Nut.....
146947	25110	Looper Ball Crank Pitman Rod Nut Oil Shield
51460E	25110	Looper Ball Crank Pitman Rod Oil Shield Screw.....
7071	25110	Looper Ball Crank Pitman Rod Oil Shield Screw Washer
146565	25110	Looper Holder with 896AL and two 1253AL
146739	25110	Looper Holder 146565 with 1664J, 146567 and 146730
146567	25110	Looper Holder Bushing (eccentric) with 146647.....
146647	25110	Looper Holder Bushing Pin.....
896AL	25110	Looper Holder Clamping Screw.....
146568	25073	Looper Holder Hinge Pin.....
146569	25073	Looper Holder Rock Shaft with 140439E...
*146570	-----	Looper Holder Rock Shaft Bracket.....
		NOTE: Due to the accuracy required for Looper Rock Shaft alignment, Looper Holder Rock Shaft Bracket cannot be supplied separate- ly and can only be sent out as a unit. Arm, Bed and Looper Holder Rock Shaft Bracket assembled.
143126	-----	Looper Holder Rock Shaft Bracket Oil Pipe Clamping Sleeve Adaptor.....
231E	-----	Looper Holder Rock Shaft Bracket Oil Plug Screw (2)
140734E	25037	Looper Holder Rock Shaft Bracket Screw (2)
126150	-----	Looper Holder Rock Shaft Bracket Screw Washer (2)
146571	25073	Looper Holder Rock Shaft Bushing (back) ..
448AL	25073	Looper Holder Rock Shaft Bushing (back) Set Screw
146572	25073	Looper Holder Rock Shaft Bushing (front) ..
448AL	25073	Looper Holder Rock Shaft Bushing (front) Set Screw
140439E	25073	Looper Holder Rock Shaft Oil Plug Screw ..
146732	25110	Looper Throw-out Releaser.....
146733	25110	Looper Throw-out Releaser Cap.....
51159J	25110	Looper Throw-out Releaser Cap Screw (2)
146754	25110	Looper Throw-out Sleeve
146904	25110	Looper Throw-out Spring
50169J	25110	Looper Throw-out Spring Screw
29043	25110	Looper Throw-out Spring Screw Washer ..
146924	-----	Looper Throw-out Device and Pitman Rod complete, Nos. 1520J, 128551, 146919 and 146938 (for Agents only)
146512	25074	Machine Pulley (disc power) "V" belt groove (outside diameter of belt groove 2.9 in.) with two 51283AL
51283AL	25074	Machine Pulley Set Screw (2).....
146573	25111	Needle Bar (hollow).....

No.	Plate	Name
146953	-----	Needle Bar complete, Nos. 146573 and 146954.....
146907	25111	Needle Bar Bushing (lower).....
1133E	25111	Needle Bar Bushing (lower) Set Screw ...
146804	25111	Needle Bar Bushing (lower and upper) Oil Wick
146805	25111	Needle Bar Bushing (lower and upper) Oil Wick complete, Nos. 146703, 146804 and two 146580
146703	25111	Needle Bar Bushing (lower and upper) Oil Wick Clamp and Retainer.....
146580	25111	Needle Bar Bushing (lower and upper) Oil Wick Clip (2).....
146576	25111	Needle Bar Bushing (upper).....
140440J	25111	Needle Bar Bushing (upper) Oil Plug Screw
1133E	25111	Needle Bar Bushing (upper) Set Screw ...
146959	25111	Needle Bar Connecting Link.....
146581	-----	Needle Bar Connecting Link 146959 with 146582.....
146582	25107	Needle Bar Connecting Link Hinge Stud...
140552AL	25107	Needle Bar Connecting Link Hinge Stud Clamping Screw
1036AL	25107	Needle Bar Connecting Link Hinge Stud Position Set Screw.....
175E	25111	Needle Bar Connecting Stud Clamping Screw
139110	25111	Needle Bar Connecting Stud Oil Pad (wick)
139111	25111	Needle Bar Connecting Stud Slide Block ..
146908	25111	Needle Bar Connecting Stud Slide Block Guide
SS329E	25111	Needle Bar Connecting Stud Slide Block Guide Screw (2).....
140542AL	25107	Needle Bar Crank Position Screw.....
146665	25047	Needle Bar Thread Retainer (lower).....
146666	25047	Needle Bar Thread Retainer (upper).....
146585	25047	Needle Bar Thread Retainer Bracket.....
146586	25047	Needle Bar Thread Retainer Bracket complete, Nos. 10107, 140546C, 146585, 146665, 146666 and two each 42483, 50163XC and 54865
402J	25047	Needle Bar Thread Retainer Bracket Screw
43483	25047	Needle Bar Thread Retainer Disc (2)....
140546C	25047	Needle Bar Thread Retainer Disc Screw...
50163XC	25047	Needle Bar Thread Retainer Screw (2)....
54865	25047	Needle Bar Thread Retainer Screw Washer (2).....
10107	25047	Needle Bar Thread Retainer Spring.....
146954	25111	Needle Clamp with two 50014F
146682	25108	Needle Guard
146742	25108	Needle Guard Holder.....
146743	25108	Needle Guard Holder Bracket
190J	25108	Needle Guard Holder Bracket Screw

No.	Plate	Name
190J	25108	Needle Guard Holder Screw.....
176J	25108	Needle Guard Screw
50014F	25111	Needle Set Screw (2)
146591	25046	Oil Flow Body
143061	25046	Oil Flow Body Gasket (2).....
143062	25046	Oil Flow Window
143063	25046	Oil Flow Window Cap
50257X	25046	Oil Flow Window Cap Screw (4).....
143370	25046	Oil Lead
51369E	25046	Oil Lead Screw.....
146593	25046	Oil Pipe, for 146597.....
146594	25010	Oil Pipe with two each 143124 and 143125, for oiling Bed Rotary Shaft Intermediate Bearing
146595	25010	Oil Pipe with two each 143124 and 143125, for oiling Looper Rock Shaft Hinge Pin..
146596	25010	Oil Pipe with two each 143124 and 143125, for oiling Thread (under) Take-up Shaft Front Bearing.....
143065	25046	Oil Pipe Clamping Sleeve, for 146597.....
143066	25046	Oil Pipe Clamping Sleeve Nut.....
146597	25046	Oil Pipe complete from Oil Pump to Arm Shaft (horizontal) Center Bearing Nos. 146593 with 143065 and 143066 (for Agents only).....
143124	25010	Oil Pipe Clamping Sleeve (6).....
143126	25046	Oil Pipe Clamping Sleeve Adaptor for 146660 (3)
143126	-----	Oil Pipe Clamping Sleeve Adaptor (fastened to Bed) (2).....
143125	25010	Oil Pipe Clamping Sleeve Nut (6).....
146659	25046	Oil Pump (centrifugal) Body.....
146660	-----	Oil Pump (centrifugal) Body 146659 with three 143126
143071	25046	Oil Pump (centrifugal) Body Position Pin (2).....
157E	25046	Oil Pump (centrifugal) Body Screw (3)...
146600	25046	Oil Pump (centrifugal) Cover.....
143073	25046	Oil Pump (centrifugal) Impeller
50123E	25107	Oil Pump (centrifugal) Impeller Locking Screw
146657	25046	Oil Pump (centrifugal) Screen
146658	25046	Oil Pump (centrifugal) Screen Frame.....
189E	25046	Oil Pump (centrifugal) Screen Frame..... Screw (3).....
146744	25037	Oil Removing Wick (head end)
146745	25037	Oil Removing Wick (head end) Holder Body
146746	-----	Oil Removing Wick (head end) Holder Body 146745 with 146698 and 146744 (for Agents only).....
140553E	25037	Oil Removing Wick (head end) Holder Body Hinge Screw
146698	25037	Oil Removing Wick (head end) Holder Body Spring.....
146700	25037	Oil Removing Wick (head end) Holder Body Stop and Spring Clip

No.	Plate	Name
228E	25037	Oil Removing Wick (head end) Holder Body Stop and Spring Clip Screw.....
146747	25037	Oil Removing Wick (head end) Holder Body complete, Nos. 228E, 140553E, 146696, 146697, 146698, 146700, 146744 and 146745.....
146696	25037	Oil Removing Wick (head end) Hinge Plate and Cover.....
146697	25037	Oil Removing Wick (head end) Hinge Plate and Cover Gasket.....
1364X	25037	Oil Removing (head end) Hinge Plate and Cover Screw (3)
146604	25037	Oil Wick, for oiling Looper Ball Crank Pitman End Bearing (left)
146605	25073	Oil Wick Holder
193E	25073	Oil Wick Holder Tube Bracket Screw....
146606	25073	Oil Wick Position Bracket with 140239AL.
140239AL	25073	Oil Wick Position Bracket Screw
139462	25111	Presser Bar
146751	25111	Presser Bar Bushing (lower)
1133E	25111	Presser Bar Bushing (lower) Set Screw..
146694	25111	Presser Bar Lifting Bracket with 14057AL
1057AL	25111	Presser Bar Lifting Bracket Clamping Screw
146676	25097	Presser Bar Lifting Bracket Lifter.....
807X	25097	Presser Bar Lifting Bracket Lifter Hinge Screw
146791	25097	Presser Bar Lifting Lever.....
	NOTE:	When ordering No. 146791, state color required.
146609	25097	Presser Bar Lifting Lever Extension
161X	25097	Presser Bar Lifting Lever Extension Screw (2)
802X	25097	Presser Bar Lifting Lever Hinge Screw..
146610	25097	Presser Bar Lifting Lever Spring.....
146611	25111	Presser Bar Spring.....
146612	25111	Presser Bar Spring Guide Pin.....
146752	25111	Presser Bar Stop with 190J.....
190J	25111	Presser Bar Stop Clamping Screw
131556	25109	Presser Foot Plate
442AL	25109	Presser Foot Plate Adjusting Screw
1695J	25109	Presser Foot Plate Adjusting Screw Nut..
26276	25109	Presser Foot Plate Hinge Pin.....
146955	25109	Presser Foot Shank with 442AL and 1695J
146956	25109	Presser Foot (hinged) complete, Nos. 26276, 131556 and 146955.....
131560	25109	Presser Foot Plate
26276	25109	Presser Foot Plate Hinge Pin.....
146780	25109	Presser Foot Shank
131561	25109	Presser Foot (hinged) complete, Nos. 26276, 131560 and 146780.....
190J	25111	Presser Foot Screw.....
140441W	25111	Pressure Regulating Thumb Screw.....
51614W	25111	Pressure Regulating Thumb Screw Nut...

For the brand of this product, please refer to the product manual.

No.	Plate	Name
146617	25050	Slack Thread Controller
54242	25050	Slack Thread Controller Clamp
176J	25050	Slack Thread Controller Clamp Screw
140239AL	25050	Slack Thread Controller Position Screw
2102	25098	Tension (looper thread) Disc (4)
51570C	25098	Tension (looper thread) Regulating Thumb Nut (2)
146792	25099	Tension (looper thread) Releaser (2)
146794	25099	Tension (looper thread) Releaser Slide
146620	25099	Tension (looper thread) Releaser Slide Connecting Link
110C	25099	Tension (looper thread) Releaser Slide Connecting Link Hinge Screw
72C	25099	Tension (looper thread) Releaser Slide Hinge Screw (2)
217J	25099	Tension (looper thread) Releaser Screw (2)
146801	25099	Tension (looper thread) Releaser Nos. 110C, 146620, 146794, 146796, 146797 and two each 72C, 217J, 146792 and 146795
140442C	25098	Tension (looper thread) Screw Stud (2)
146618	-----	Tension (looper thread) Screw Stud 140442C with 51570C
131740	25098	Tension (looper thread) Spring (2)
59537	25098	Tension (looper thread) Spring Bushing (large) (2)
59538	25098	Tension (looper thread) Spring Bushing (small) (2)
146619	25098	Tension (looper thread) Thread Guard
131696	25098	Tension (looper thread) Thread Guide (2)
68002	25097	Tension (needle thread) Bracket
140443J	25097	Tension (needle thread) Bracket Screw
2102	25097	Tension (needle thread) Disc (4)
51570C	25097	Tension (needle thread) Regulating Thumb Nut (2)
32572	25097	Tension (needle thread) Releasing Disc (2)
54988	25097	Tension (needle thread) Releasing Pin (2)
68003	25097	Tension (needle thread) Releasing Shaft
54872	25097	Tension (needle thread) Releasing Shaft Crank with 624AL
146620	25097	Tension (needle thread) Releasing Shaft Crank Connecting Link
110C	25097	Tension (needle thread) Releasing Shaft Crank Connecting Link Hinge Screw
624AL	25097	Tension (needle thread) Releasing Shaft Crank Set Screw
68261	25097	Tension (needle thread) Releasing Shaft Spring
316C	25097	Tension (needle thread) Releasing Shaft Stop Screw
1547J	25097	Tension (needle thread) Releasing Shaft Stop Screw Nut

No.	Plate	Name
50326C	25097	Tension (needle thread) Screw Stud (2)
59539	-----	Tension (needle thread) Screw Stud 50326C with 51570C (2)
225X	25077	Tension (needle thread) Screw Stud Hole Plug
131741	25097	Tension (needle thread) Spring (2)
59537	25097	Tension (needle thread) Spring Bushing (large) (2)
59538	25097	Tension (needle thread) Spring Bushing (small) (2)
131696	25097	Tension (needle thread) Thread Guide (2)
146621	25073	Thread (looper) Take-up with 465AL
1029J	25073	Thread (looper) Take-up Screw
146622	25073	Thread (looper) Take-up Screw Washer (fiber)
465AL	25073	Thread (looper) Take-up Set Screw
146623	25047	Thread (looper) Take-up Stripper
146624	25047	Thread (looper) Take-up Stripper Holder with 906AL
146625	25047	Thread (looper) Take-up Stripper Plate
146603	-----	Thread (looper) Take-up Stripper Plate 146625 with 237J, 139148, 146623, 146624, 146626, 146628 and two 190J
237J	25047	Thread (looper) Take-up Stripper Plate Screw
146626	25047	Thread (looper) Take-up Stripper Plate Support Plate (2)
	NOTE:	One No. 146626 is screwed onto Machine Bed.
190X	25047	Thread (looper) Take-up Stripper Plate Support Plate Screw (4)
906AL	25047	Thread (looper) Take-up Stripper Set Screw
139148	25047	Thread (looper) Take-up Stripper Staple
190J	25047	Thread (looper) Take-up Stripper Staple Screw (2)
146627	25047	Thread (looper) Take-up Thread Guide (left)
237J	25047	Thread (looper) Take-up Thread Guide (left) Screw
146628	25047	Thread (looper) Take-up Thread Guide (right)
237J	25047	Thread (looper) Take-up Thread Guide (right) Screw
146631	25098	Thread (looper) Thread Tube
1628X	25098	Thread (looper) Thread Tube Screw Stud Nut
146671	25098	Thread (looper) Thread Tube Screw Stud Nut Washer
146632	25098	Thread (looper) Thread Tube Thread Guide
50027J	25098	Thread (looper) Thread Tube Thread Guide Screw
146795	25099	Thread (looper) Uncurler (2)
146796	25099	Thread (looper) Uncurler Plate (back)
146797	25099	Thread (looper) Uncurler Plate (front)

For a complete history of this document, please visit the National Archives at https://www.archives.gov

No.	Plate	Name
146633	25050	Thread (needle) Eyelet (side of arm).....
176J	25050	Thread (needle) Eyelet (side of arm) Position Screw.....
7071	25050	Thread (needle) Eyelet (side of arm) Position Screw Washer.....
724J	25050	Thread (needle) Eyelet (side of arm) Screw.....
146634	25111	Thread (needle) Take-up with 51460E.....
51460E	25111	Thread (needle) Take-up Clamping Screw.....
54095	25111	Thread (needle) Take-up Plate.....
68164	25111	Thread (needle) Take-up Plate Spring.....
1449J	25111	Thread (needle) Take-up Plate Spring Screw.....
146635	25111	Thread (needle) Take-up complete, Nos. 1449J, 54095, 68164 and 146634.....
139158	25050	Thread (needle) Thread Guide (2).....
146629	25050	Thread (needle) Thread Guide Bracket.....
140443J	25050	Thread (needle) Thread Guide Bracket Screw.....
146630	25050	Thread (needle) Thread Guide Bracket Support.....
		NOTE: When ordering No. 146630, state color required.
217J	25050	Thread (needle) Thread Guide Bracket Support Screw (lower).....
237J	25050	Thread (needle) Thread Guide Bracket Support Screw (upper).....
229J	25050	Thread (needle) Thread Guide Screw (4).....
146957	25109	Throat Plate for 146950.....
146958	25109	Throat Plate for 131559.....
691F	25109	Throat Plate Screw (2).....

**SINGER Needles should be used
in SINGER Machines
These Needles and their Containers
are marked with the
Company's Trademark "SIMANCO"**

**Needles in Containers marked
"FOR SINGER MACHINES"
are NOT SINGER made needles**

ACCESSORIES

No.	Plate	Name
146637	25015	Machine Base and Oil Reservoir.....
146638	25015	Machine Base and Oil Reservoir 146637 with 146639, 146693, 146695 and two 146640 (for Agents only).....
146639	25015	Machine Base and Oil Reservoir Gasket (left).....
146693	25015	Machine Base and Oil Reservoir Oil Return Wick.....
146695	25015	Machine Base and Oil Reservoir Oil Return Wick Position Pad (felt).....
143308	25090	Machine Cushion (felt) (4).....
12361	25090	Machine Hinge Connection (2).....
146640	25015	Machine Pad (felt) (2).....
41400	25090	Machine Rest Pin (wood).....
123044	25090	Oiler with 120345.....
120345	25090	Oiler Spout.....
121741	25090	One Quart Can of Light Grade Stainless Oil
120440	25090	Screw Driver.....
121108	25090	Screw Driver.....
120341	25090	Tweezers (curved).....
8908	25090	Wrench.....
23535	25090	Wrench.....
42850	25090	Wrench.....
146057	25090	Wrench (socket) for 140552AL.....
151281	25090	Wrench (socket).....

BELT GUARD (Hinged)

No.	Plate	Name
151362	25091	Belt Guard Bottom Section with 2273 and 140321C.....
151363	25091	Belt Guard Top Section with 151366 and two 219R.....
151366	25091	Belt Guard Top Section Fill-in Plate.....
219R	25091	Belt Guard Top Section Fill-in Plate Screw (2).....
151364	25091	Belt Guard Top Section Hinge Pin.....
140321C	25091	Belt Guard Top Section Hinge Pin Set Screw.....
151365	25091	Belt Guard Top Section Lock Spring.....
2273	25091	Belt Guard Top Section Lock Spring Position Pin.....
217E	25091	Belt Guard Top Section Lock Spring Screw.....
151367	25091	Belt Guard (hinged) complete, Nos. 217E, 151362, 151363, 151364, 151365 and two wood Screws 1 1/4 in. No. 12 F. H. B. ..

NOTE: No. 151367 is furnished only when ordered.

From the library of: Diamond Needle Corp.

FACE PLATE THREAD LUBRICATOR

No.	Plate	Name
146810	25051	Thread Lubricator Adaptor.....
140224J	25051	Thread Lubricator Adaptor Screw.....
7071	25051	Thread Lubricator Adaptor Screw Washer
241755	25051	Thread Lubricator Oil Pad (felt).....
146806	25051	Thread Lubricator Oil Pad Holder.....
146807	-----	Thread Lubricator Oil Pad Holder 146806 with 62827, 240439 and 241755.....
240439	25051	Thread Lubricator Oil Pad Retainer.....
17822	25051	Thread Lubricator Oil Reservoir Rivet....
8068	25051	Thread Lubricator Oil Reservoir Rivet Washer (inside).....
124371	25051	Thread Lubricator Oil Reservoir Rivet Washer (outside).....
62827	25051	Thread Lubricator Oil Wick.....
146808	-----	Thread Lubricator complete, Nos. 8068, 17822, 124371 and 146807.....
146809	25051	Thread Lubricator 146808 with 7071, 21202, 50222J, 140224J and 146810.....
50222J	25051	Thread Lubricator Screw.....
21202	25051	Thread Lubricator Screw Washer.....

FOOT LIFTER PARTS

No.	Plate	Name
6439	-----	Chain 36 in. to 45 in., with 56864 and 56865.....
NOTE: When ordering No. 6439, state length required.		
4879	25030	Chain Connecting Link.....
56864	-----	Chain Hook (large).....
56865	-----	Chain Hook (small).....
126249	25030	Treadle.....
4882	25030	Treadle Shaft.....
126250	25030	Treadle Spring.....
150451	25030	Treadle Stand.....
150452	25030	Treadle complete, Nos. 4879, 4882, 126249, 126250, 150451 and two wood screws 1 in. No. 16 F.H.....

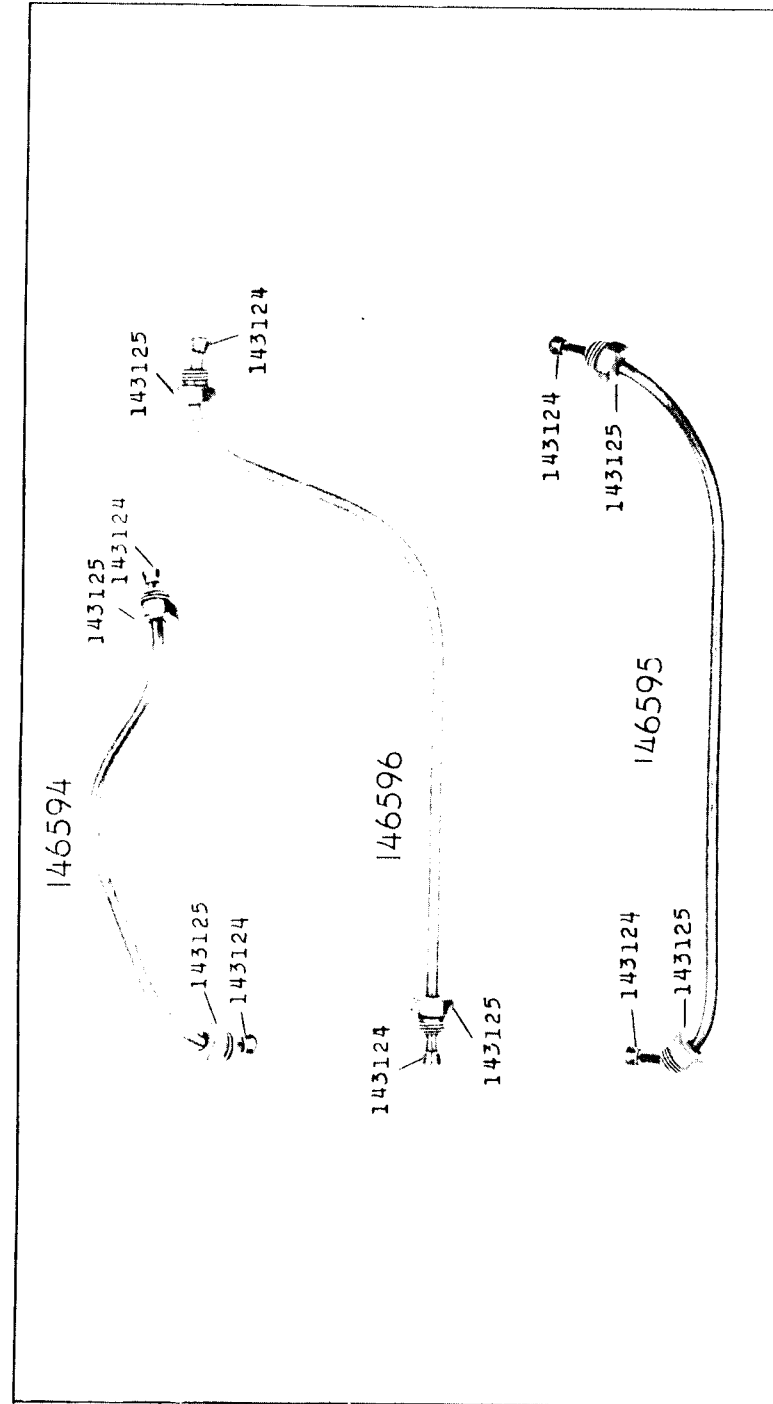
KNEE LIFTER PARTS

No.	Plate	Name
146764	25030	Chain, length 10 1/4 in., with 46865 and 56865.....
56865	25030	Chain Hook.....
46865	25030	Chain Hook Link.....
146765	25030	Rock Shaft.....
146766	25030	Rock Shaft Hanger with two wood screws 1 in. No. 10 F.H. (2).....
143283	25030	Rock Shaft Knee Arm.....
143285	-----	Rock Shaft Knee Arm complete, Nos. 2767, 143283 and 143284.....
143284	25030	Rock Shaft Knee Arm Hub with 356C and 140351AL.....
140351AL	25030	Rock Shaft Knee Arm Hub Clamping Screw.
356C	25030	Rock Shaft Knee Arm Hub Set Screw.....
2767	25030	Rock Shaft Knee Arm Plate with 356C.....
356C	25030	Rock Shaft Knee Arm Plate Set Screw.....
6337	25030	Rock Shaft Lifting Bracket with two 356C...
7125	25030	Rock Shaft Lifting Bracket Hook.....
356C	25030	Rock Shaft Lifting Bracket Hook Set Screw.
356C	25030	Rock Shaft Lifting Bracket Set Screw.....
146768	25030	Rock Shaft Spring.....
1115AL	25030	Rock Shaft Spring Screw.....
146769	25030	Rock Shaft Stop Dog (back) with 140351AL..
146770	25030	Rock Shaft Stop Dog (front) with 140351AL.
140351AL	25030	Rock Shaft Stop Dog Clamping Screw (2)...
146771	25030	Rock Shaft complete, Nos. 1115A, 6337, 7125, 143285, 146765, 146768, 146769, 146770 and two 146766.....
146779	25030	Knee Lifter complete, Nos. 146764 and 146771.....

THREAD UNWINDER
(For Four Spools)

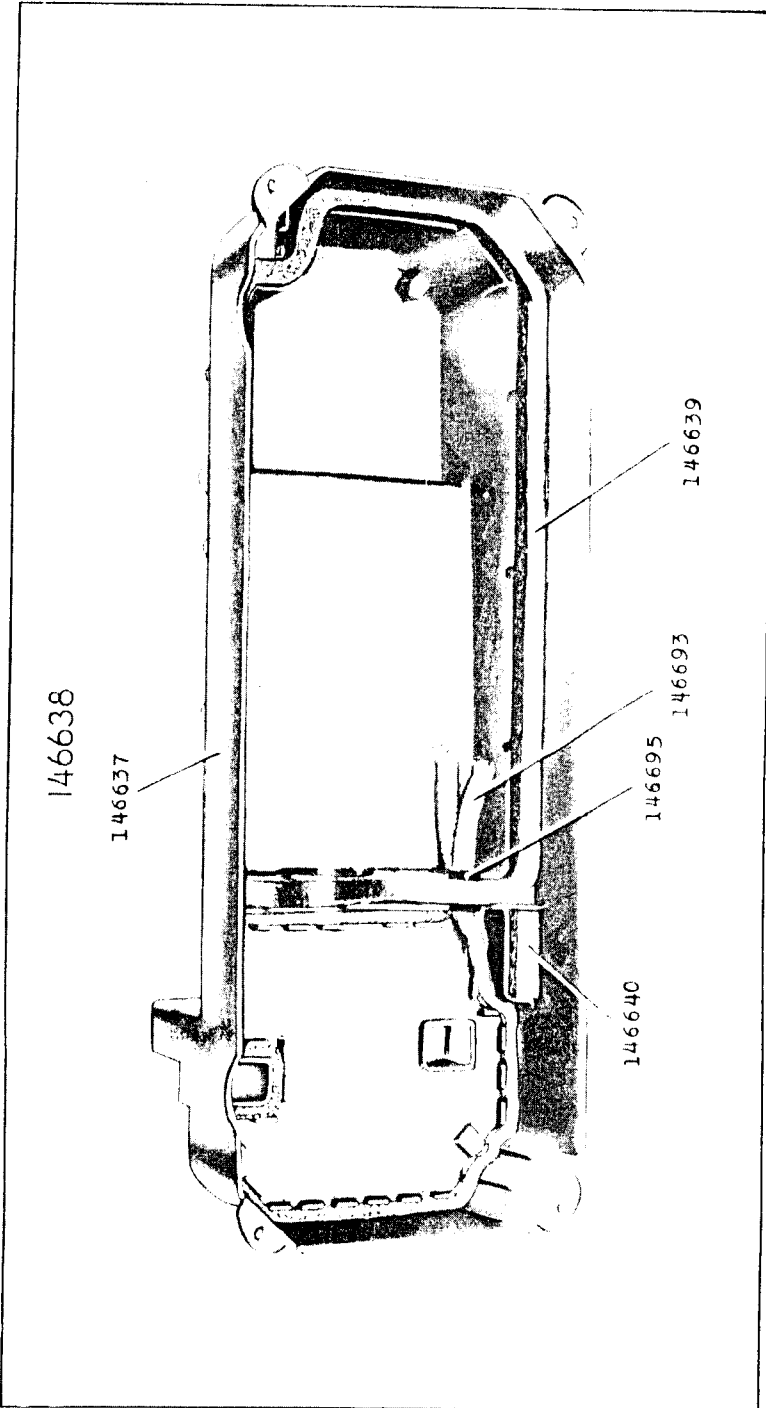
No.	Plate	Name
151032	25106	Base with 138R and three wood screws 1 in. No. 12 F.H.....
228764	25106	Spool Pin (4).....
228766	25106	Spool Rest with 201254C (2).....
151033	25106	Spool Rest Bracket.....
151034	25106	Spool Rest Bracket Rod.....
138R	25106	Spool Rest Bracket Rod Set Screw.....
51276R	-----	Spool Rest Bracket Screw.....
150203	25106	Spool Rest Cushion (felt) (4).....
201254C	25106	Spool Rest Set Screw (2).....
151035	25106	Thread Guide (4).....
1521R	25106	Thread Guide Nut (8).....
9525	25106	Thread Guide Nut Washer (8).....
151037	25106	Thread Unwinder complete, for four spools, Nos. 51276R, 151032, 151033, 151034, two 228766, four each 150203, 151035, 228764 and eight each 1521R and 9525...

No.	Plate	Name
151037	25106	Thread Unwinder complete, for four spools, Nos. 51276R, 151032, 151033, 151034, two 228766, four each 15020, 151035, 228764 and eight each 1521R and 9525.
151281	25090	Wrench (socket) accessories
151362	25091	Belt Guard Bottom Section with 2273 and 140321C, for 151367
151363	25091	Belt Guard Top Section with 151366 and two 219R, for 151367
151364	25091	Belt Guard Top Section Hinge Pin for 151367
151365	25091	Belt Guard Top Section Lock Spring for 151367
151366	25091	Belt Guard Top Section Fill-in Plate for 151363
151367	25091	Belt Guard (hinged) complete, Nos. 217E, 151362, 151363, 151364, 151365 and two wood screws 1-1/4 in. No. 12 F. H. B.
164232	NOTE: 25073	No. 151367 is furnished only when ordered. Looper Ball Crank Connection Ball Sleeve Guide for 146558
201254C	25106	Thread Unwinder Spool Rest Set Screw for 228766
228764	25106	Thread Unwinder Spool Pin for 151037
228766	25106	Thread Unwinder Spool Rest with 201254C, for 151037
240439	25051	Face Plate Thread Lubricator Oil Pad Retainer for 146807
241755	25051	Face Plate Thread Lubricator Oil Pad (felt) for 146807

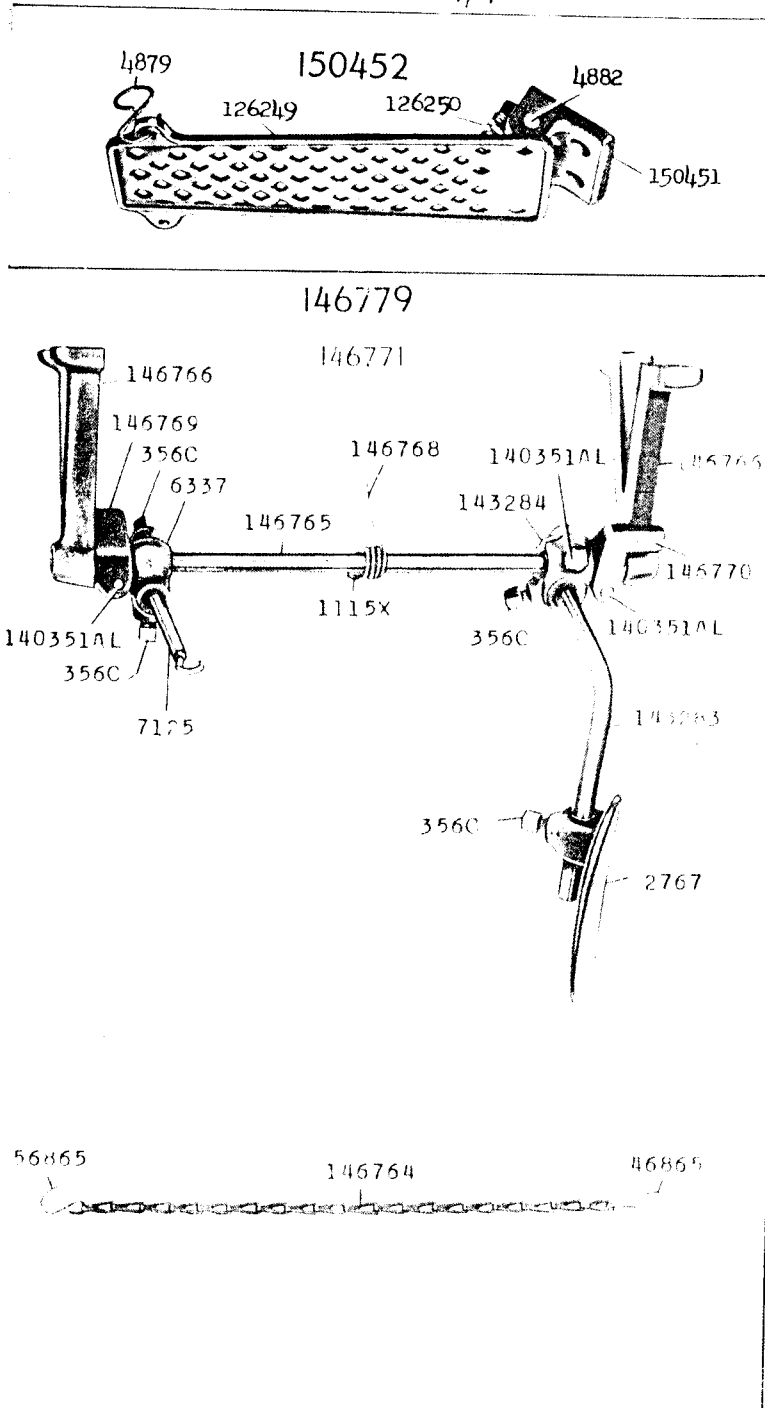


From the library of: Diamond Needle Corp

25015 - 1/3

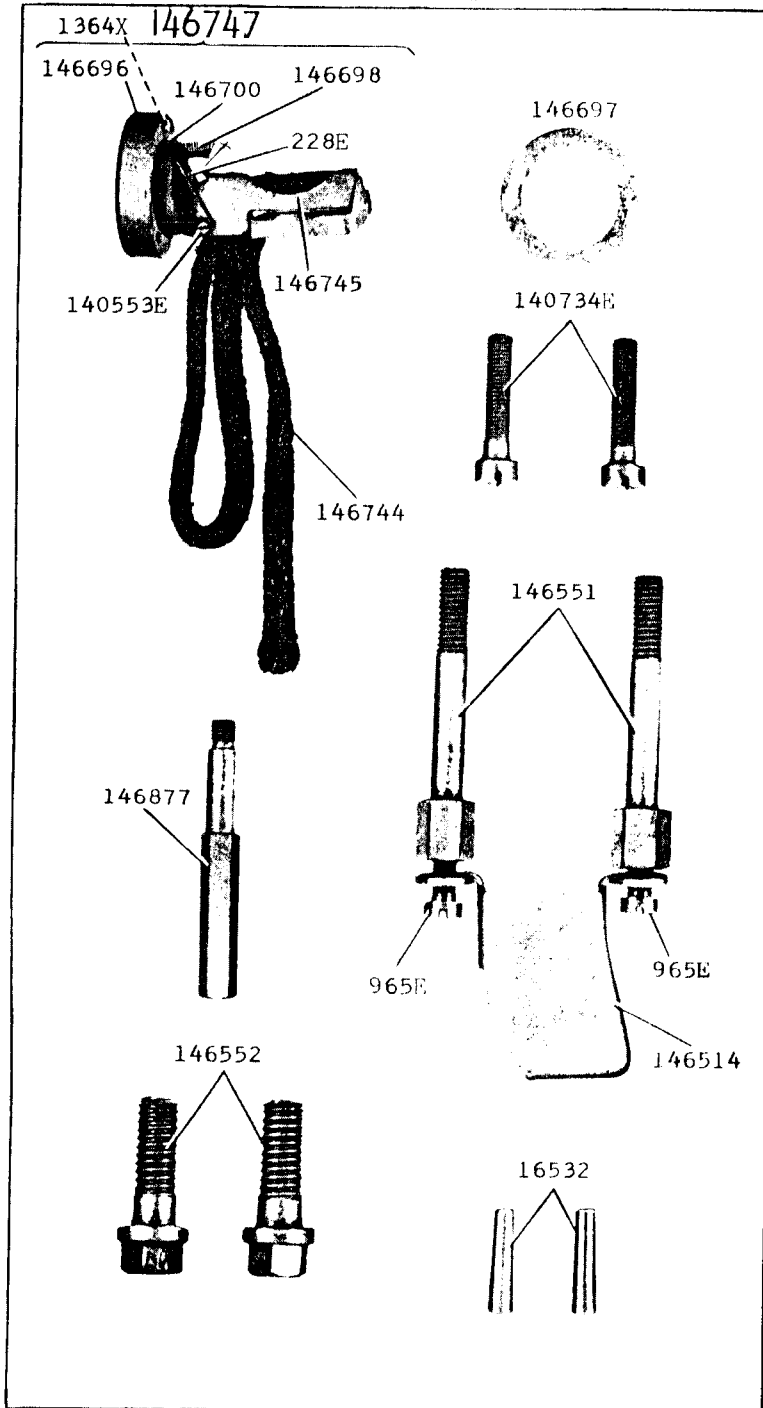


25030 - 1/4

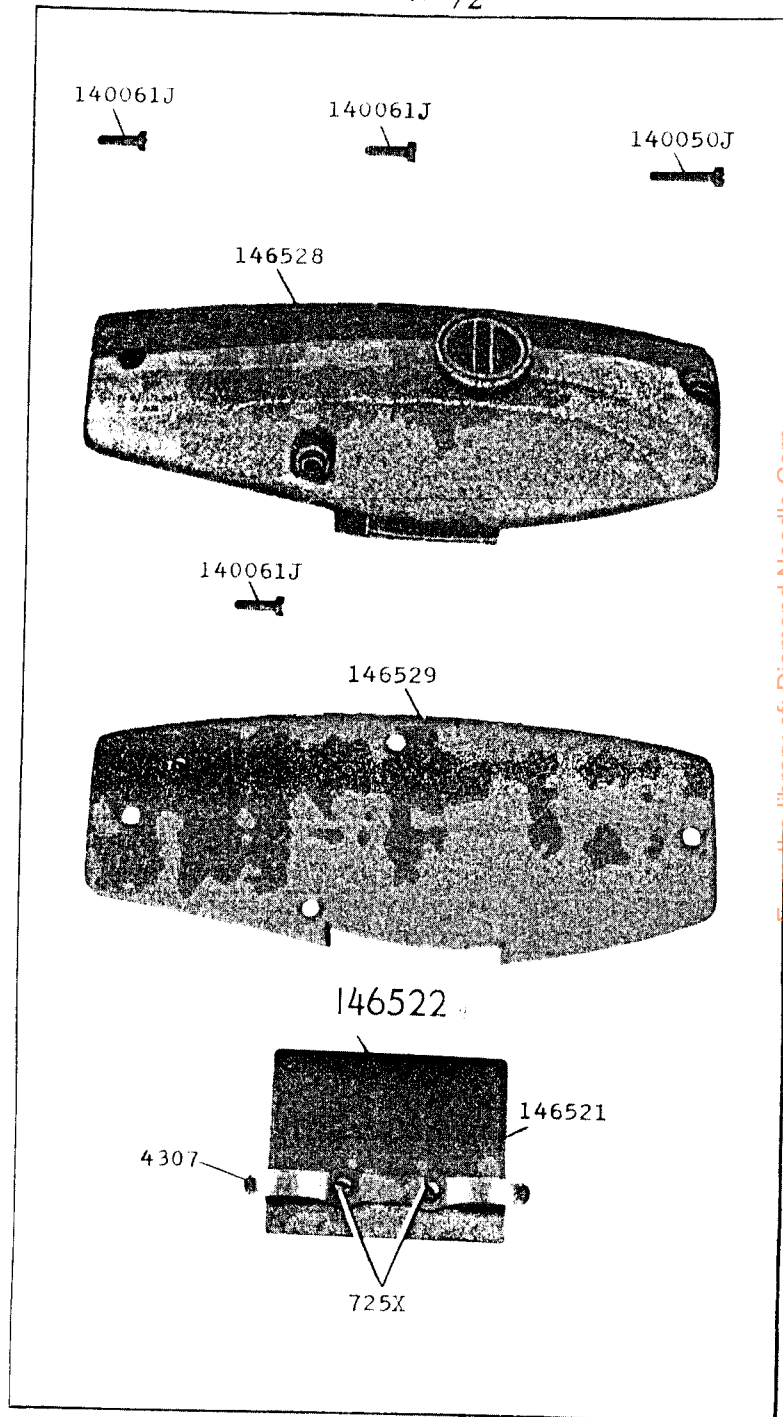


From the library of: Diamond Needle Corp

25037-1/2

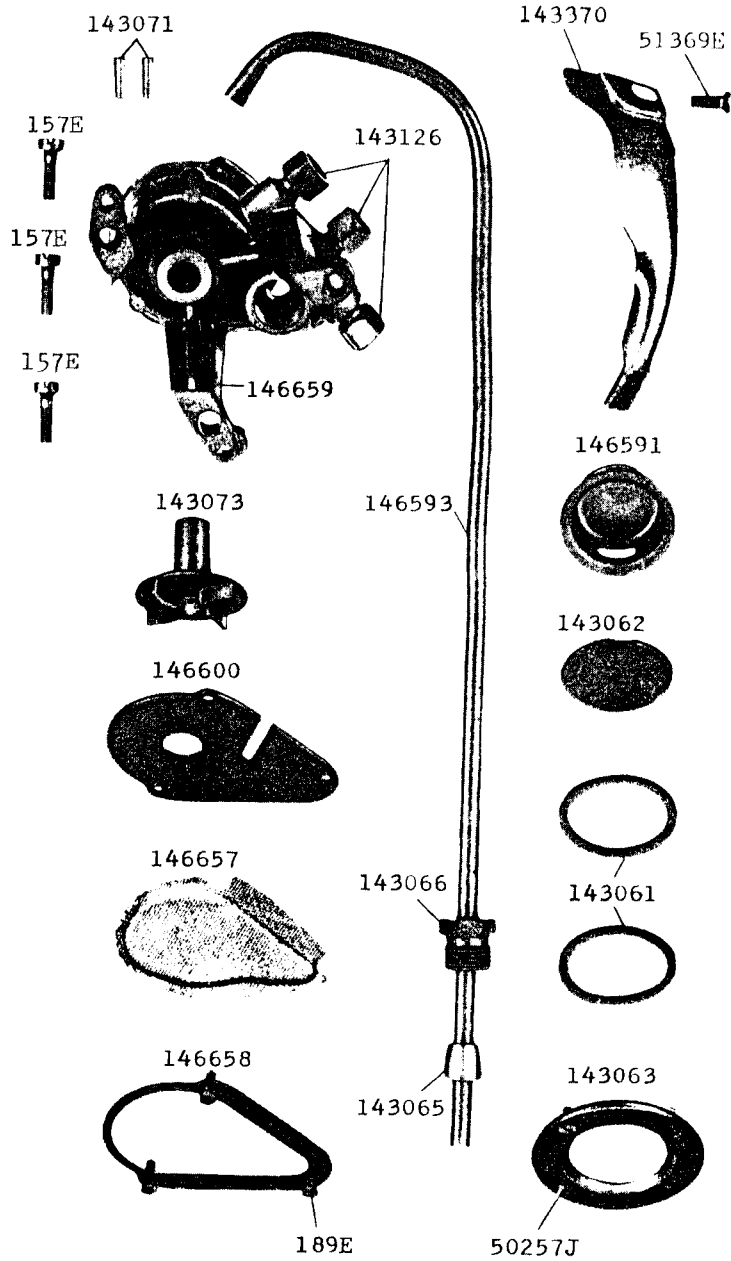


25041-1/2

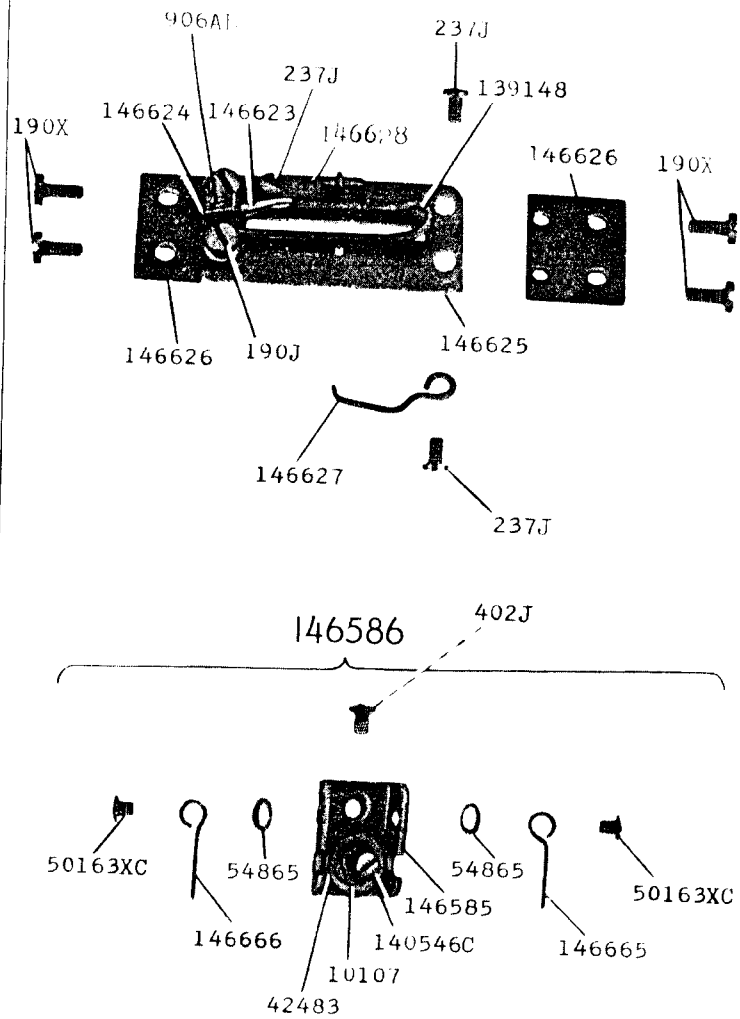


25046-1/2

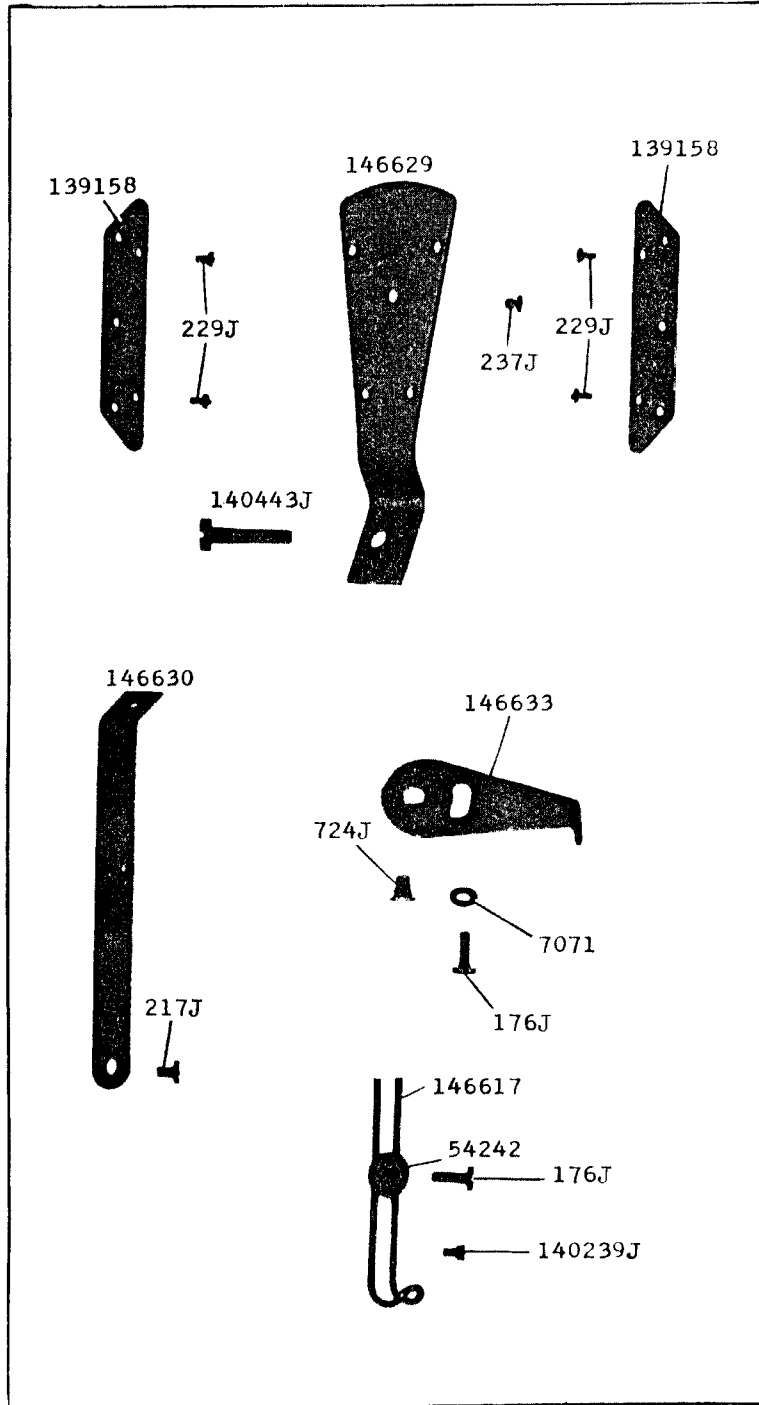
146597



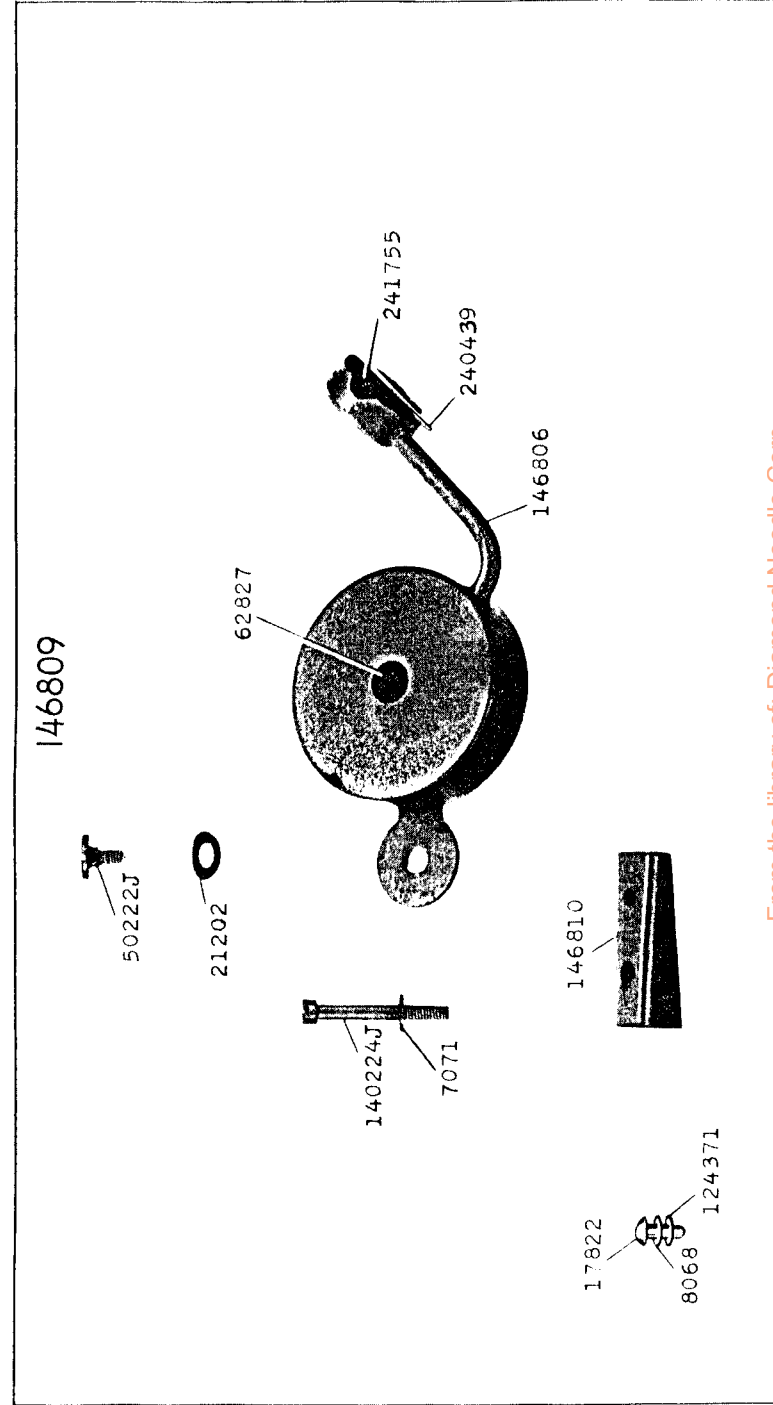
25047-2/3

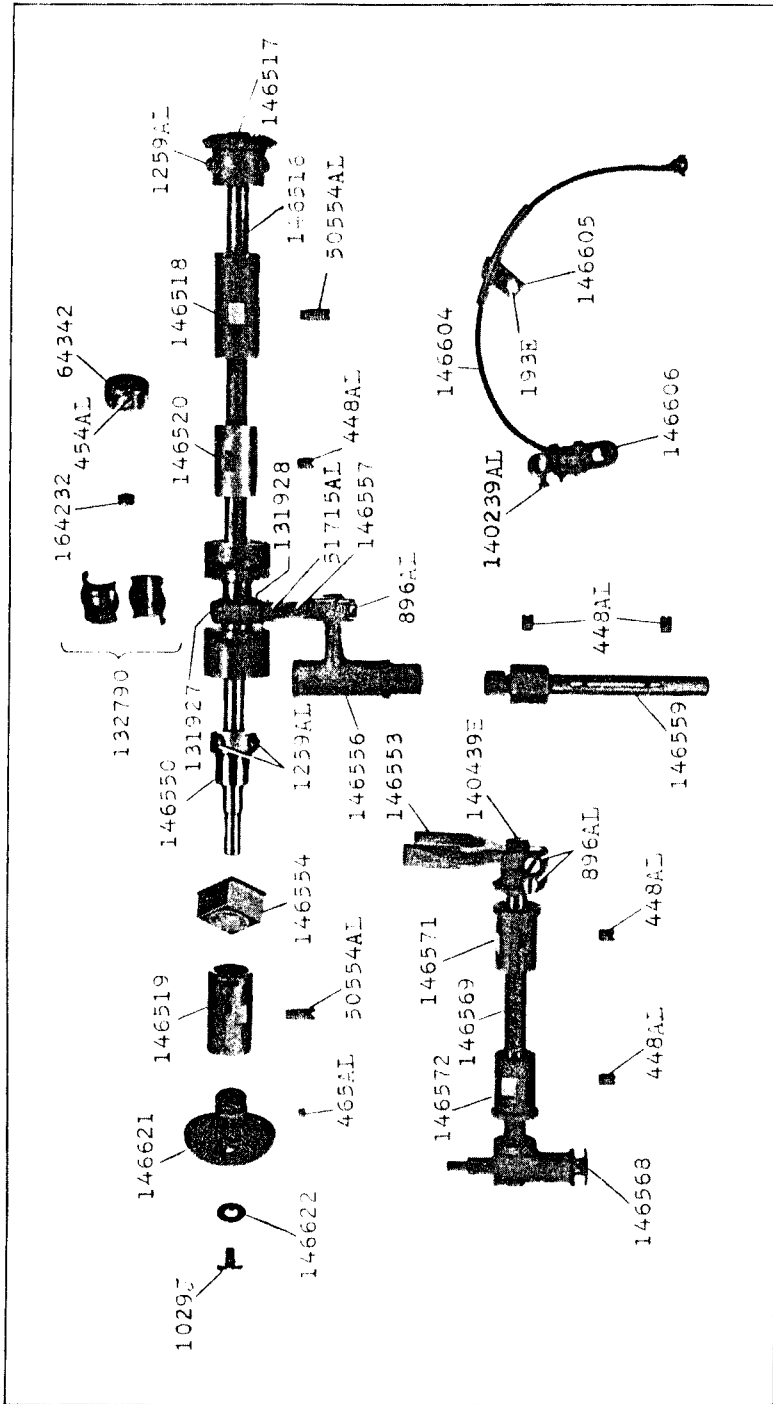
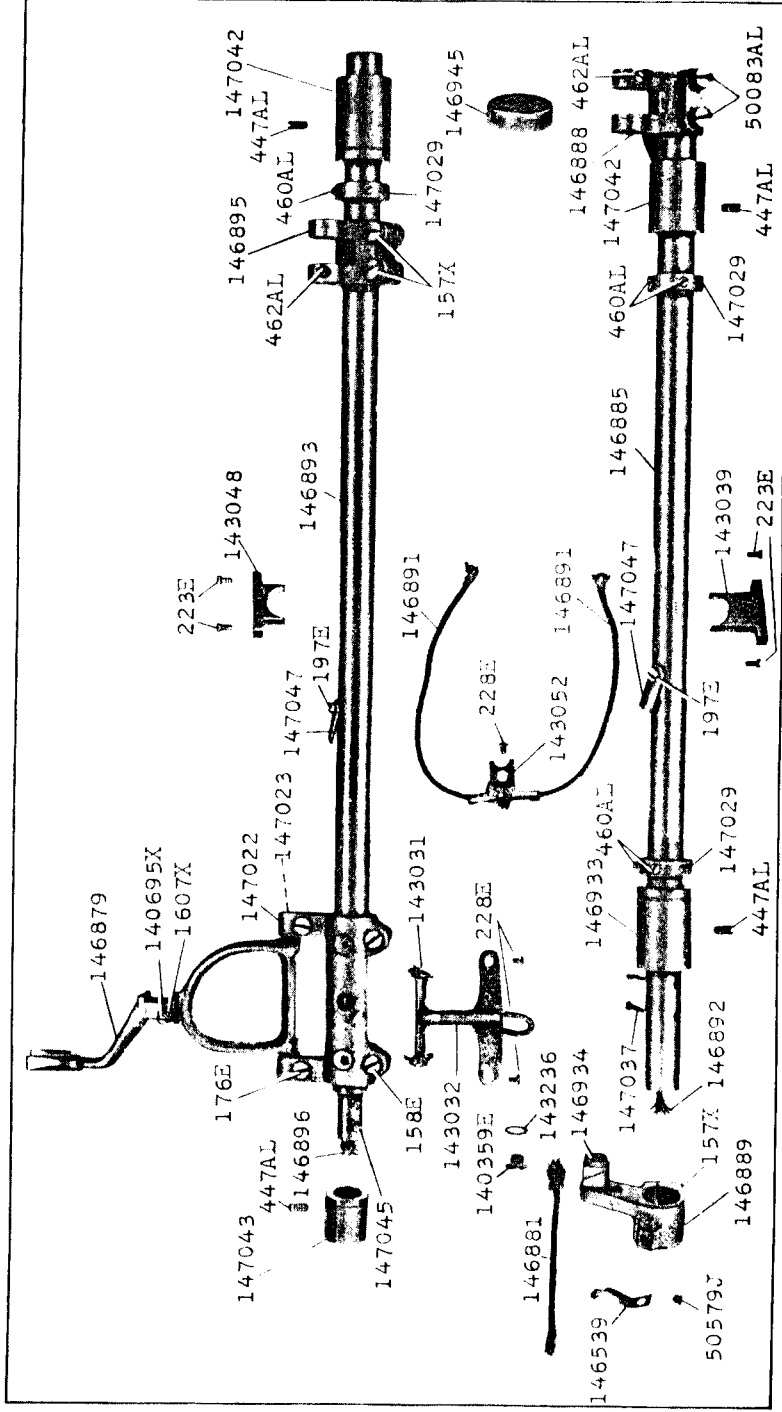


25050-1/2

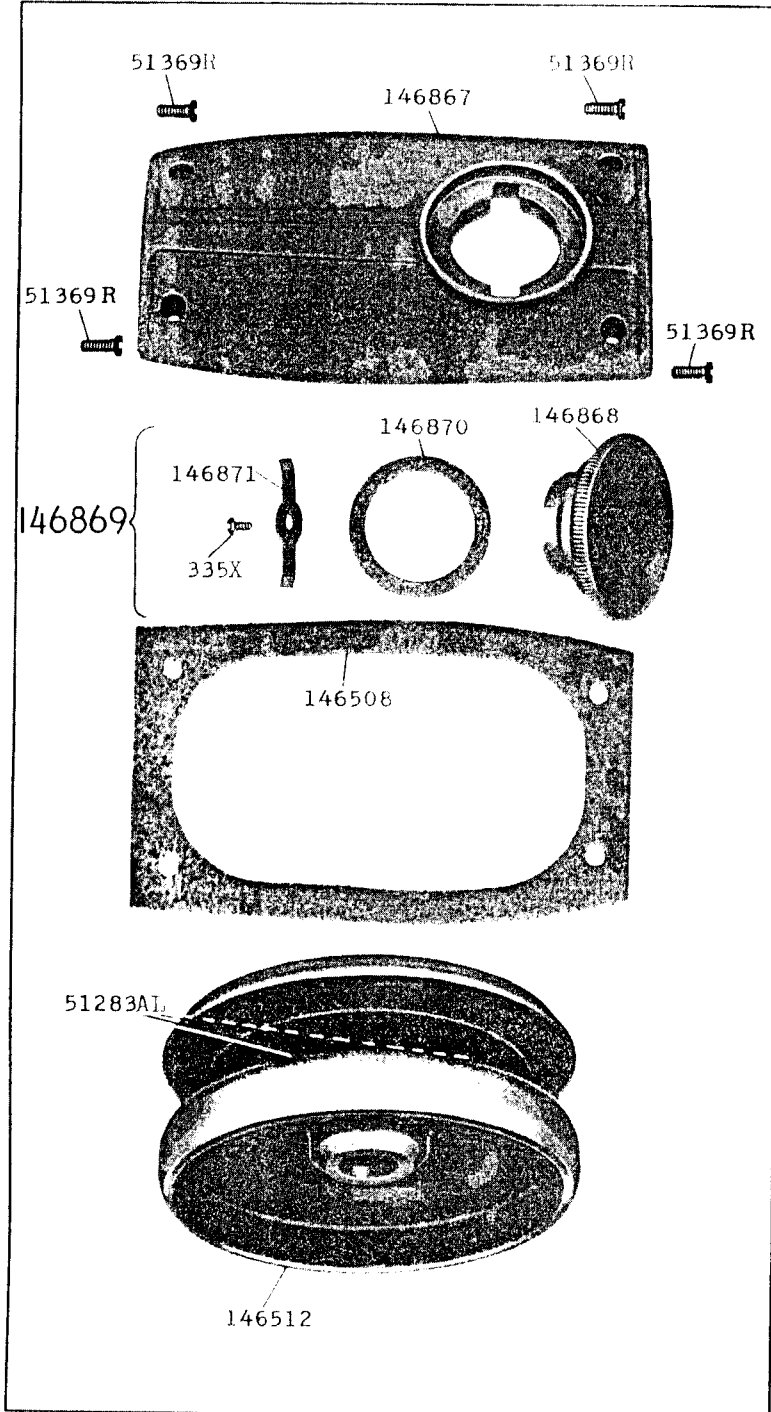


25051-1/2

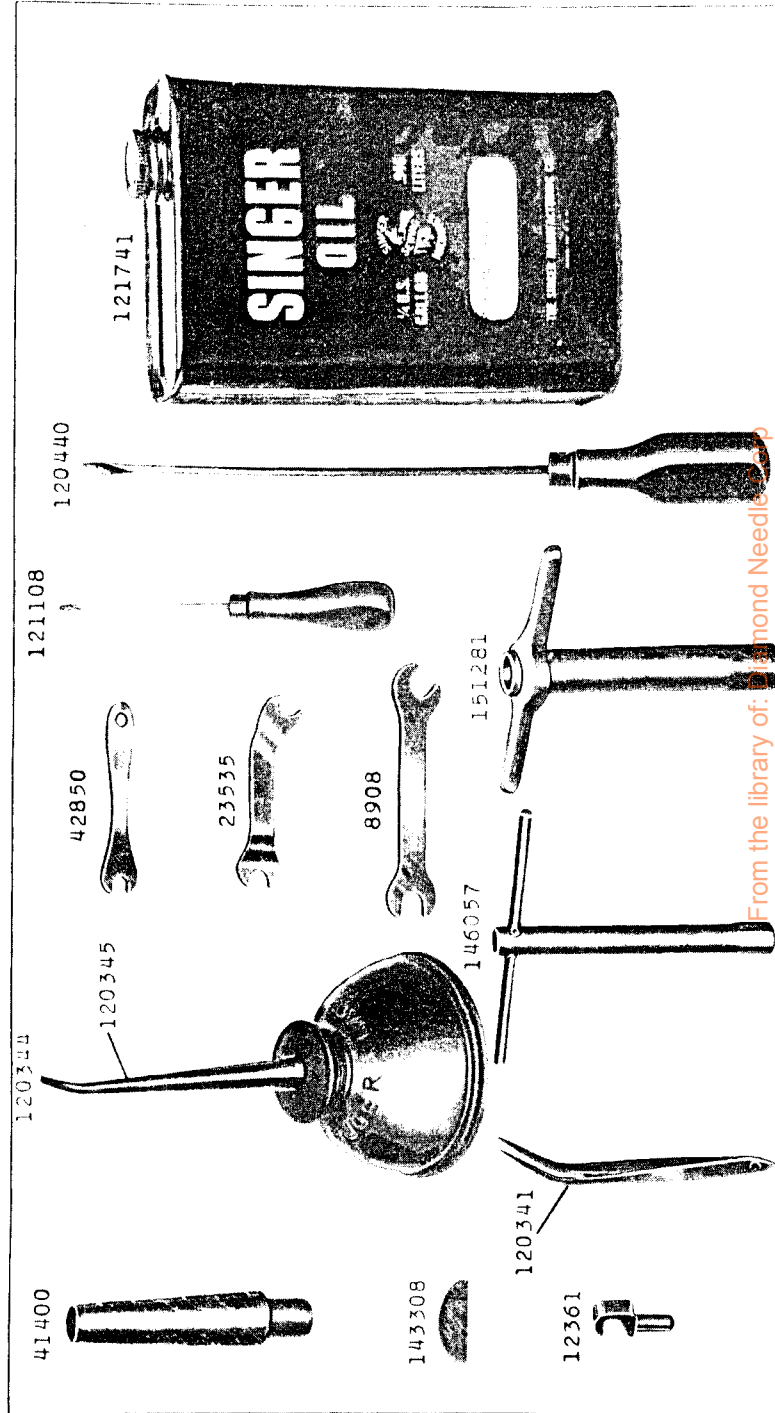




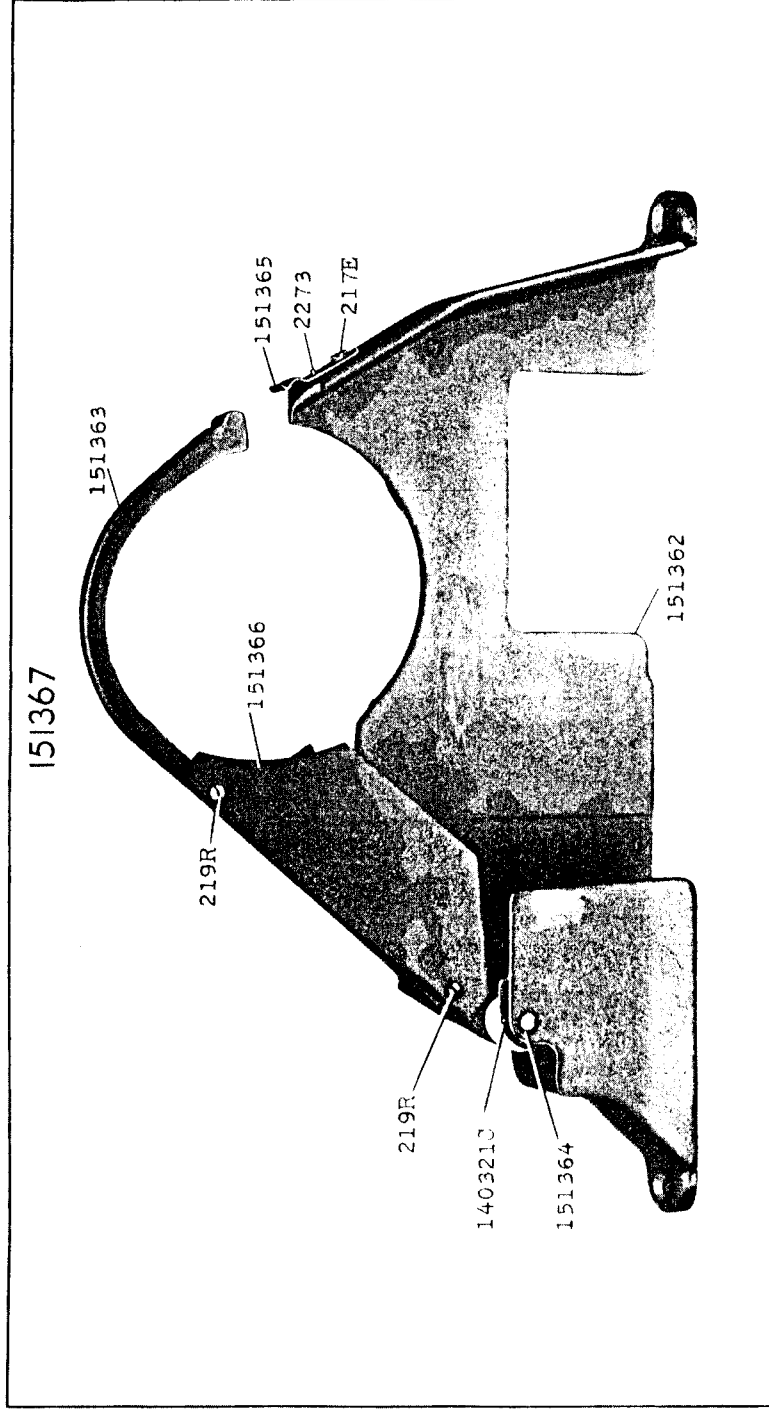
25074 1/2



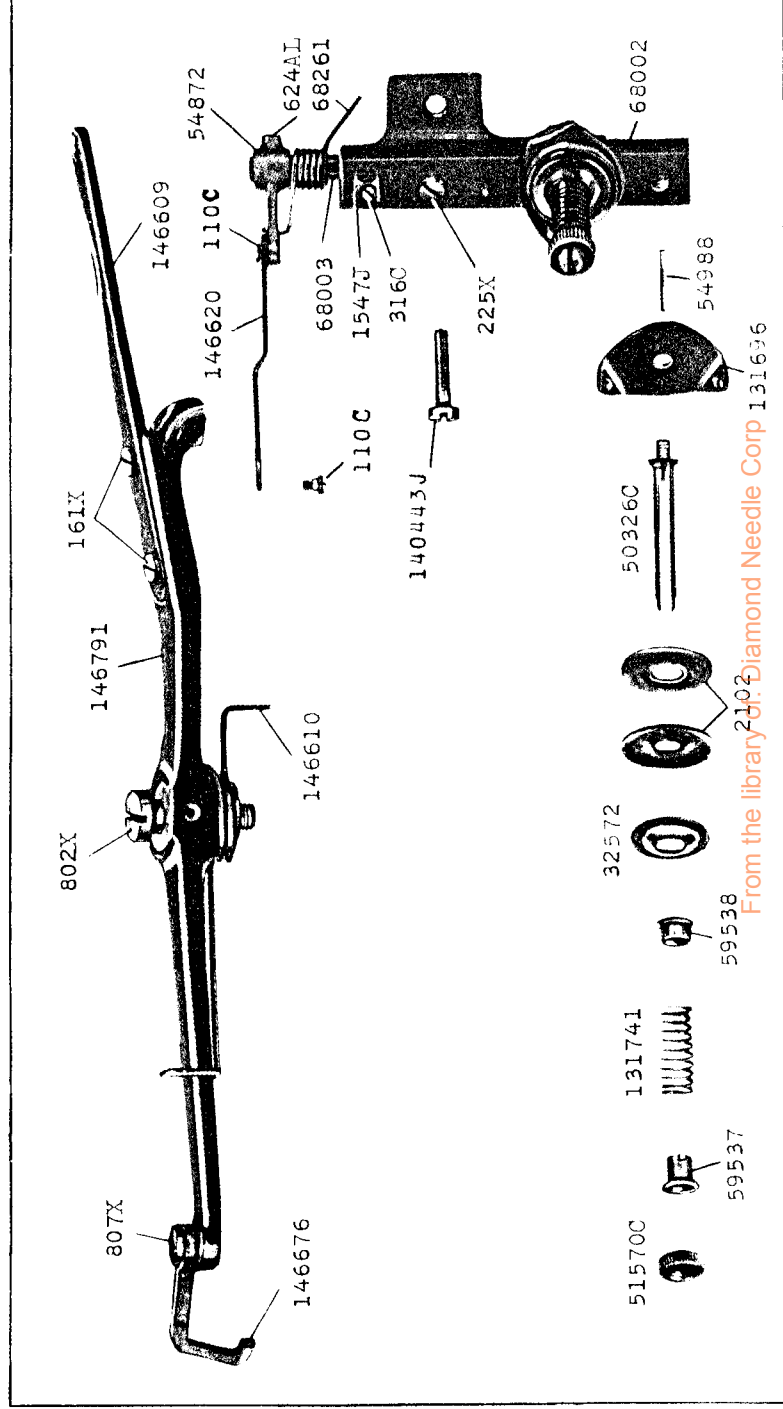
25090 1/2



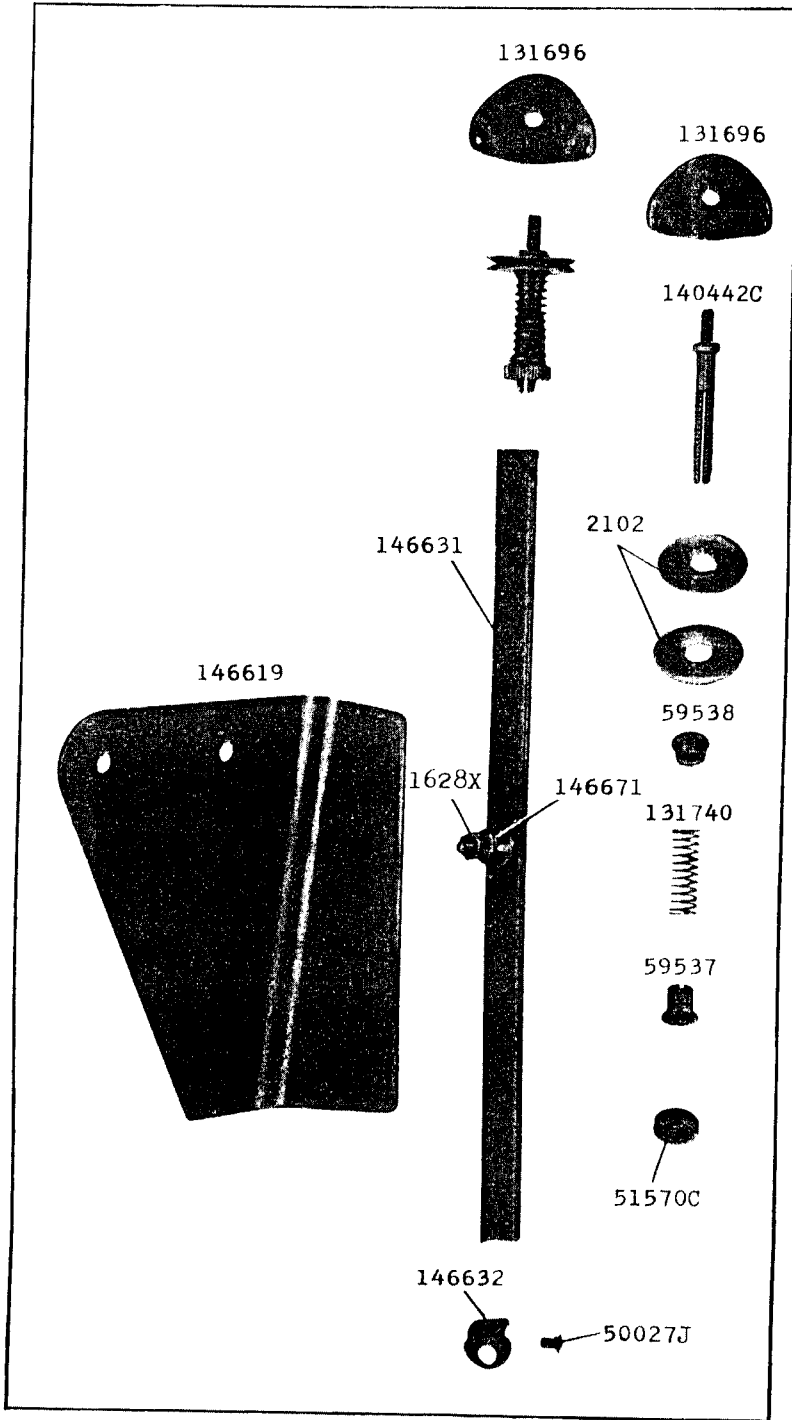
25091-1/3



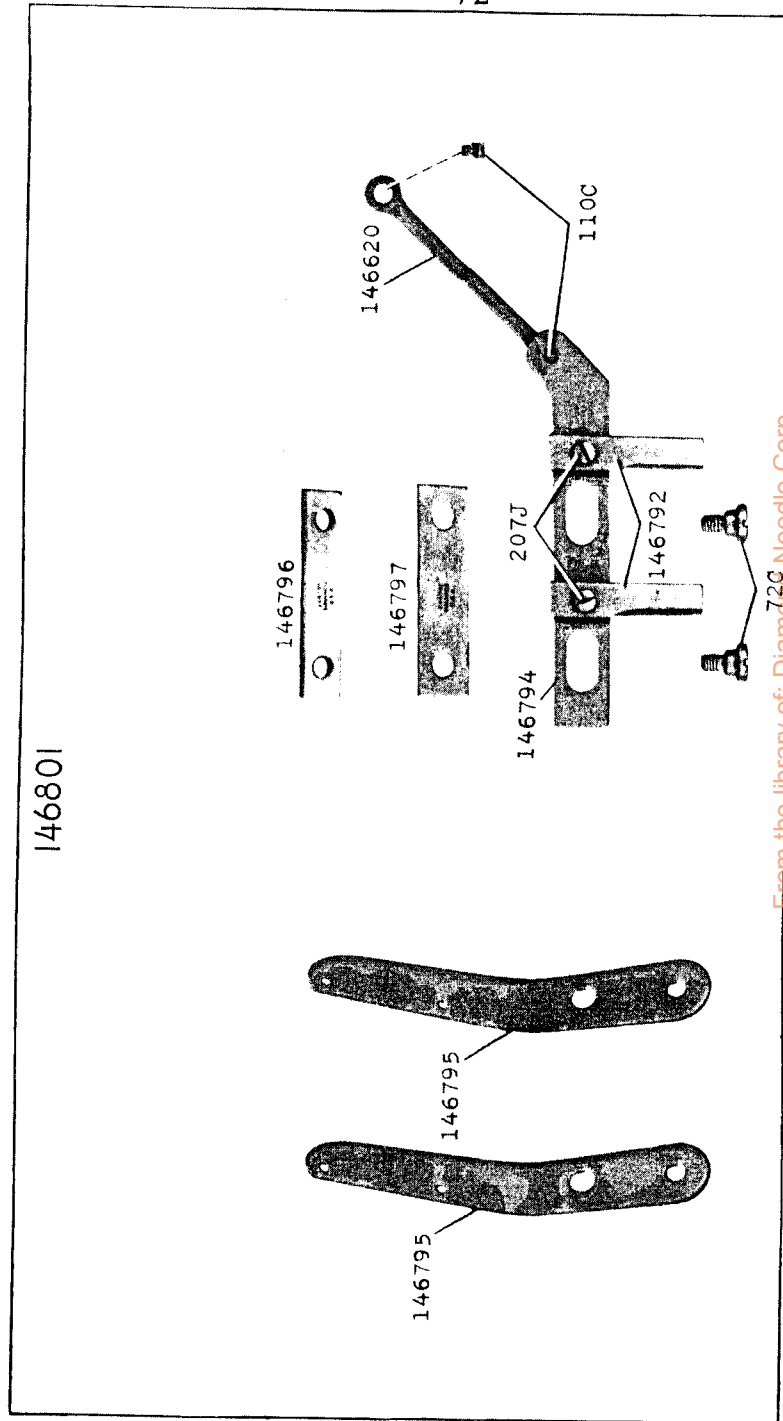
25097-1/2



25098-1/2



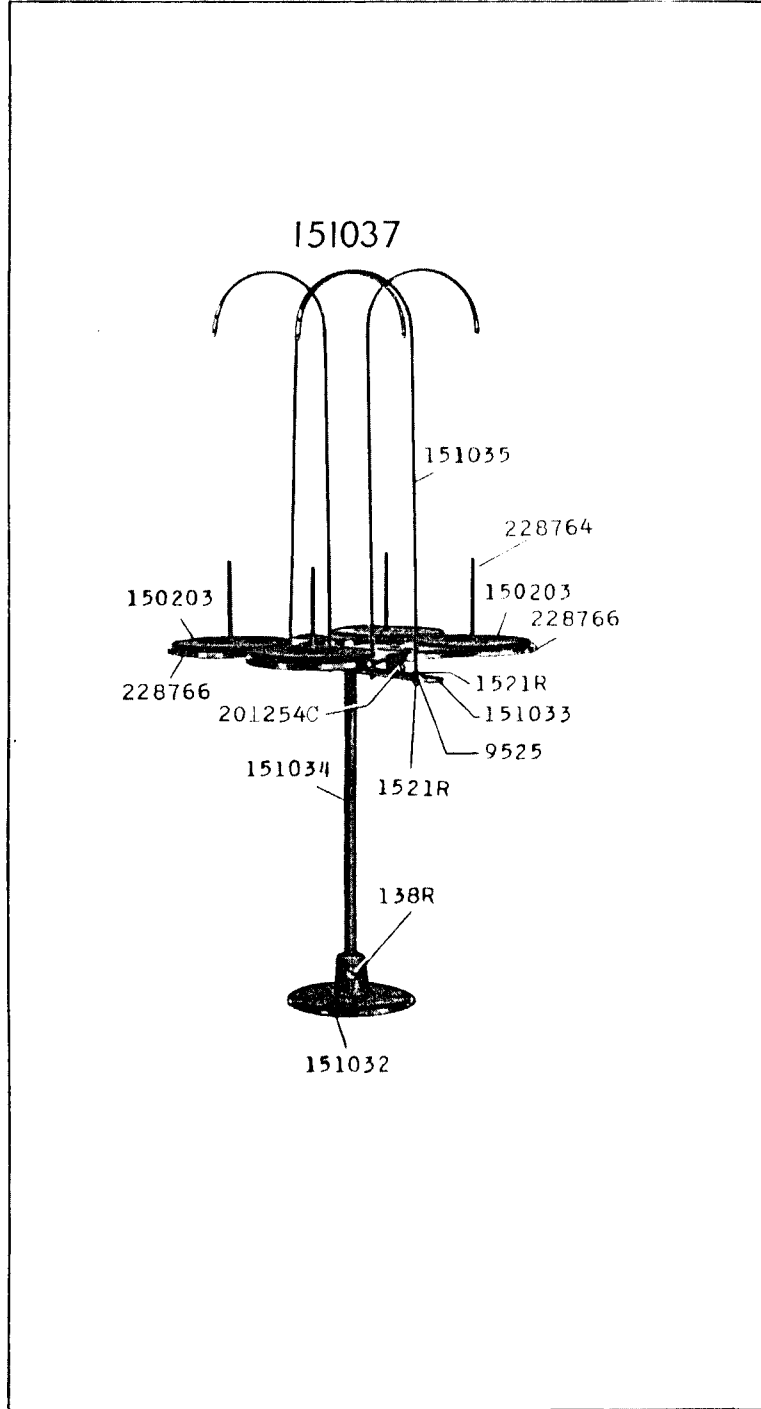
25099-1/2



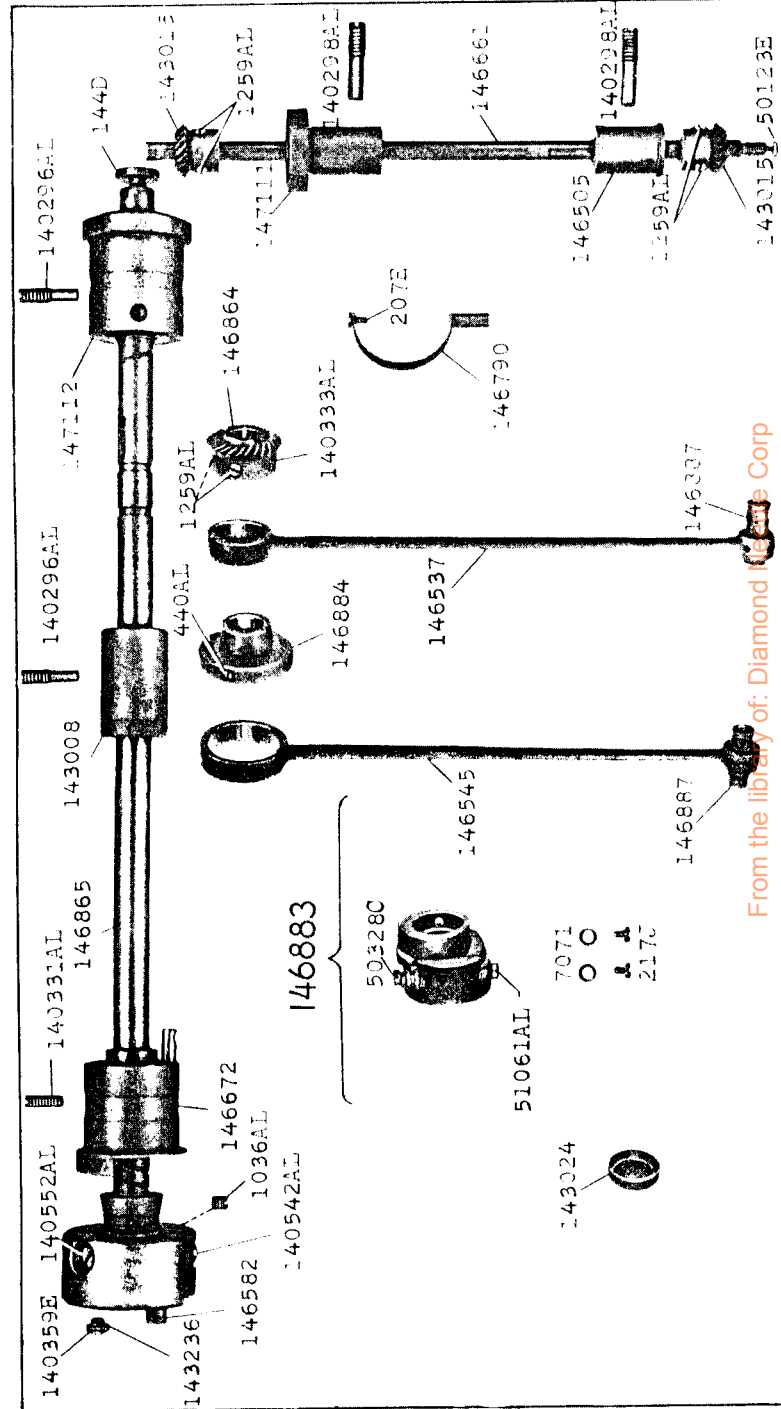
146801

From the library of: [Diamant Needle Corp](#)

25106.1/6

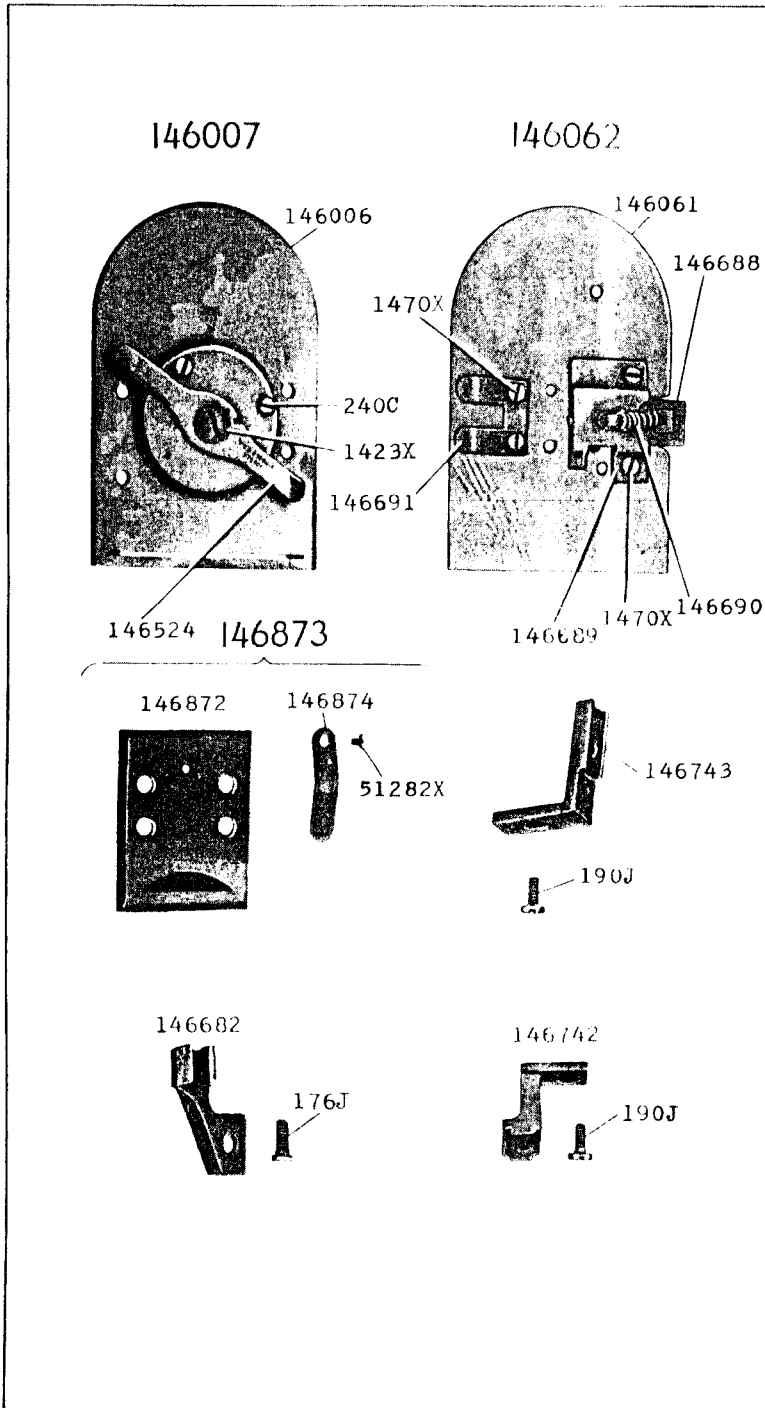


25107.1/3

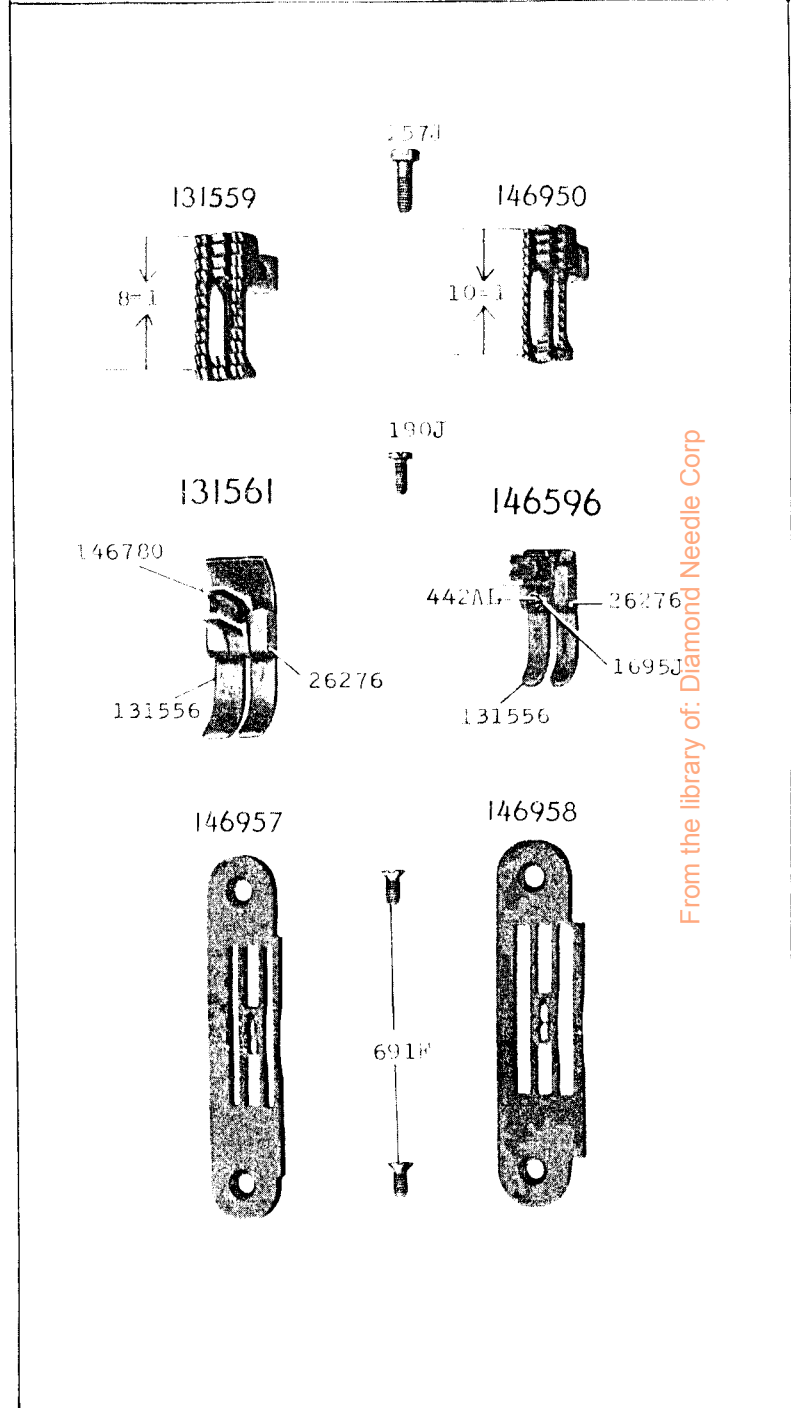


From the library of: Diamond Releasing Corp

25108 1/2

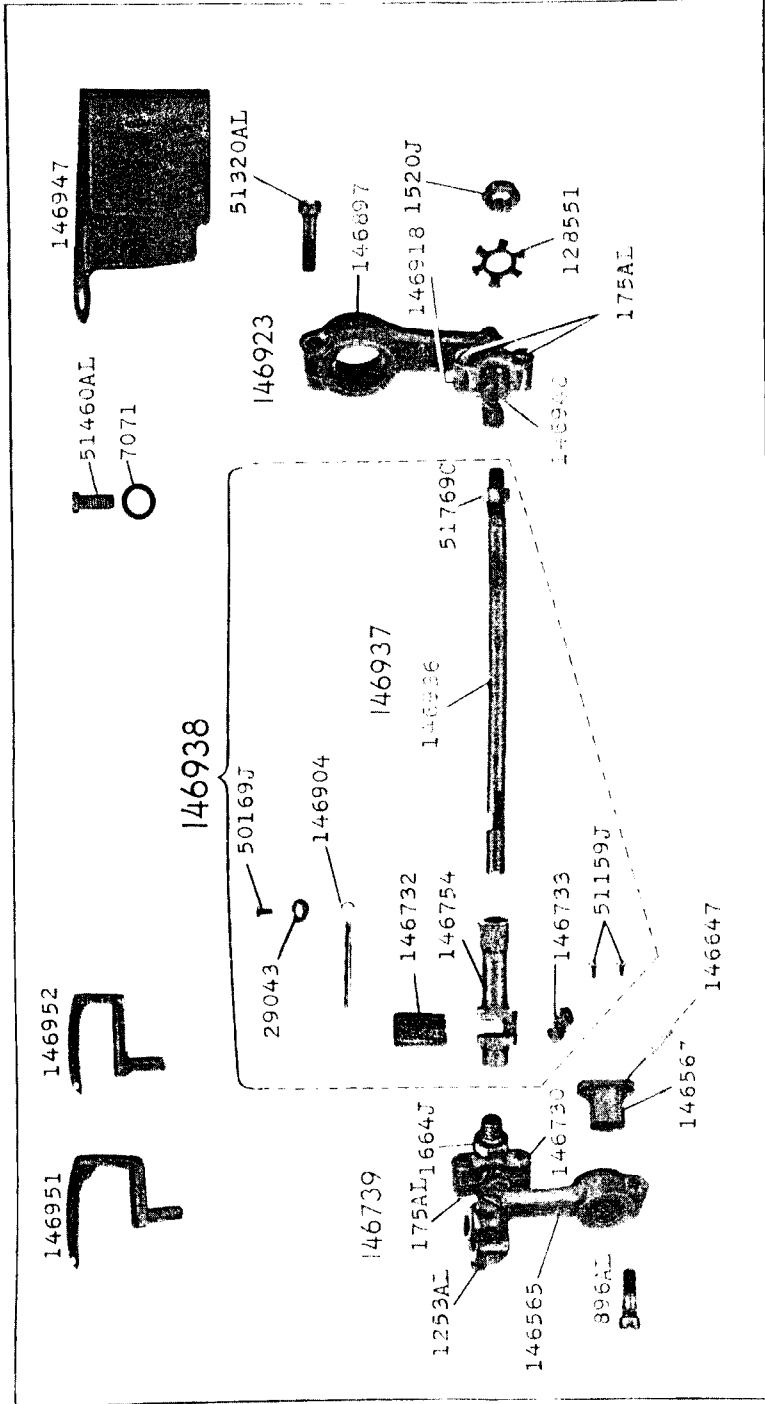


25109 1/2



From the library of: Diamond Needle Corp

25110 1/2



25111 1/2

